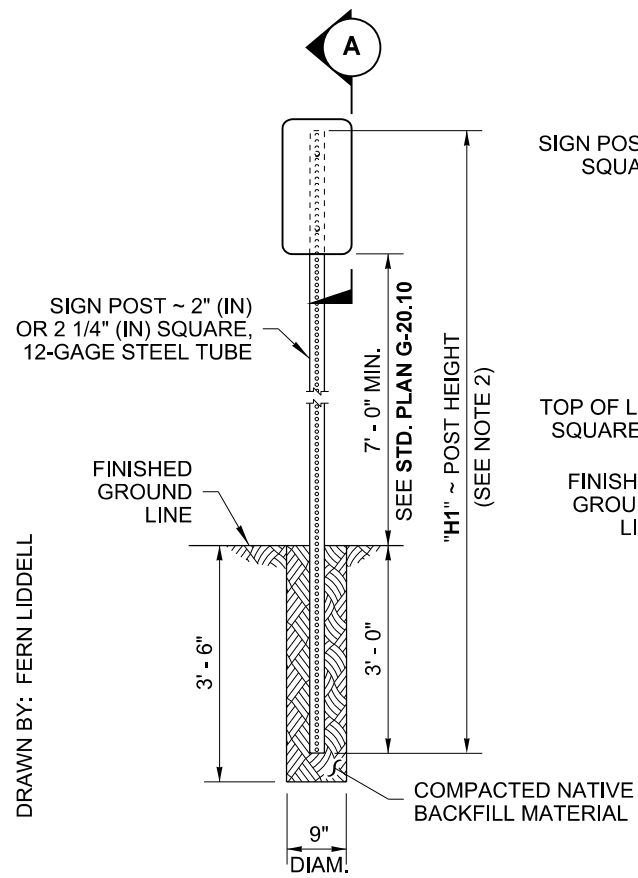
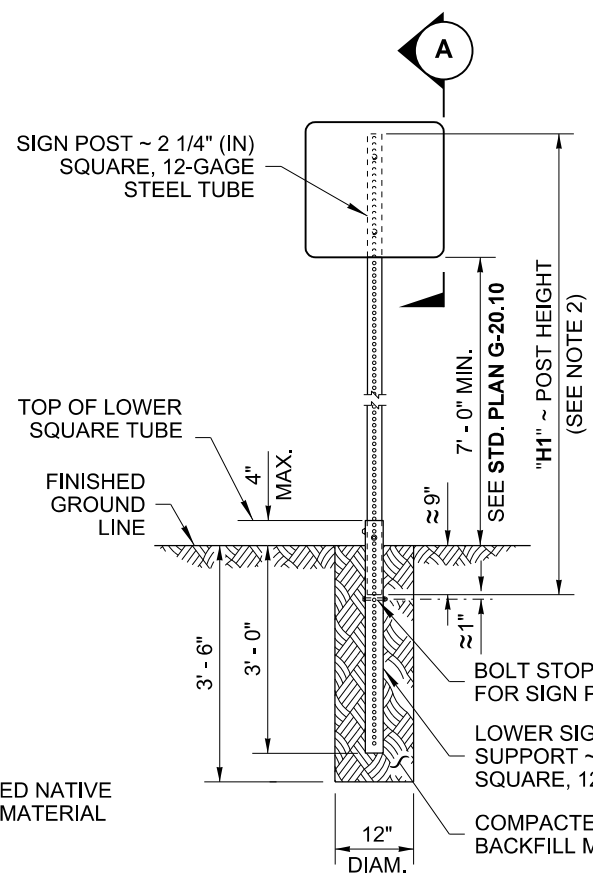


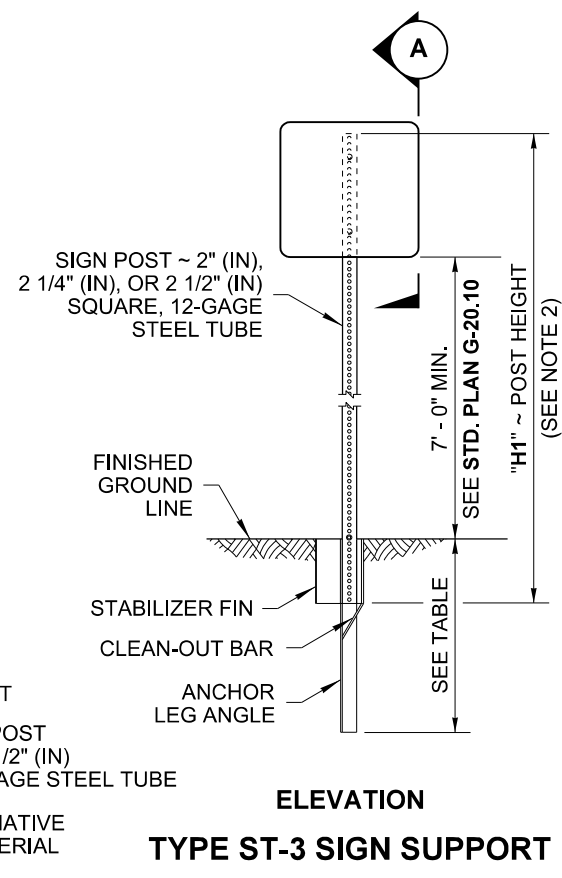
DRAWN BY: FERN LIDDELL



**ELEVATION**  
**TYPE ST-1 SIGN SUPPORT**

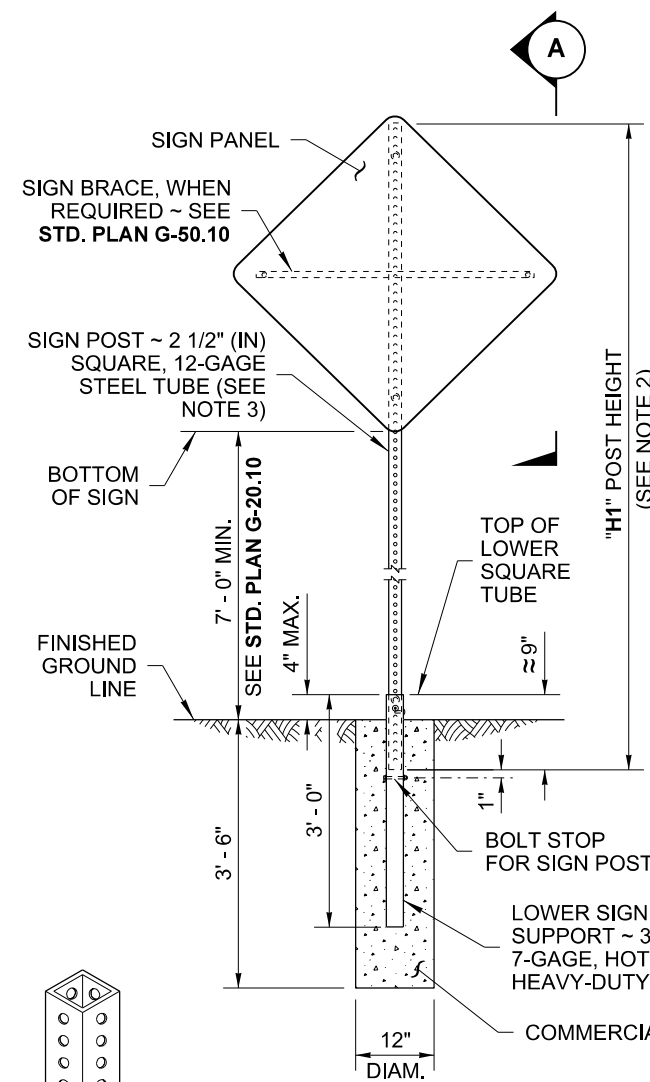


**ELEVATION**  
**TYPE ST-2 SIGN SUPPORT**



**ELEVATION**  
**TYPE ST-3 SIGN SUPPORT**

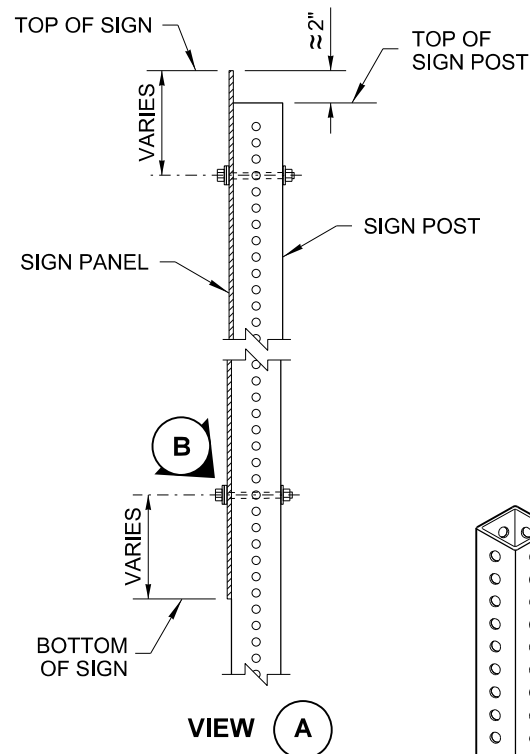
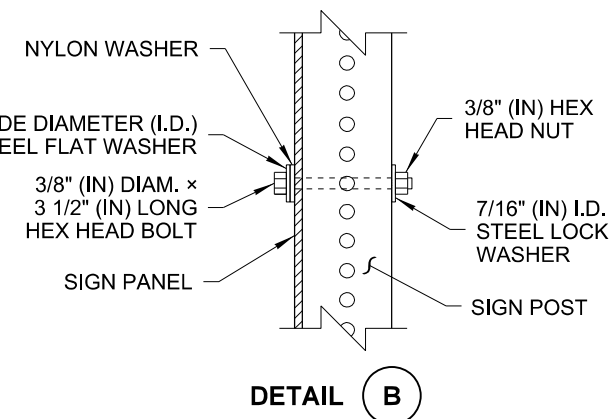
BURIED DEPTH	POST SIZE
2' - 6"	2", 2 1/4"
3' - 0"	2 1/2"



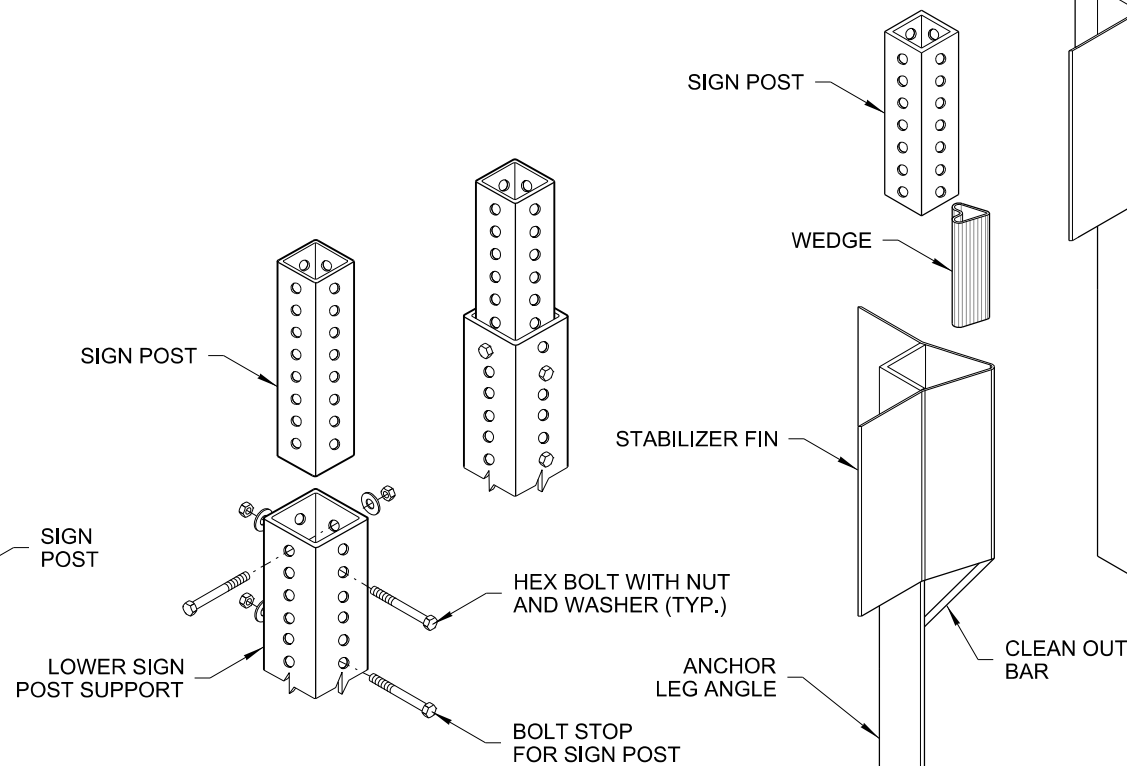
**ELEVATION**  
**TYPE ST-4 SIGN SUPPORT**

**NOTES**

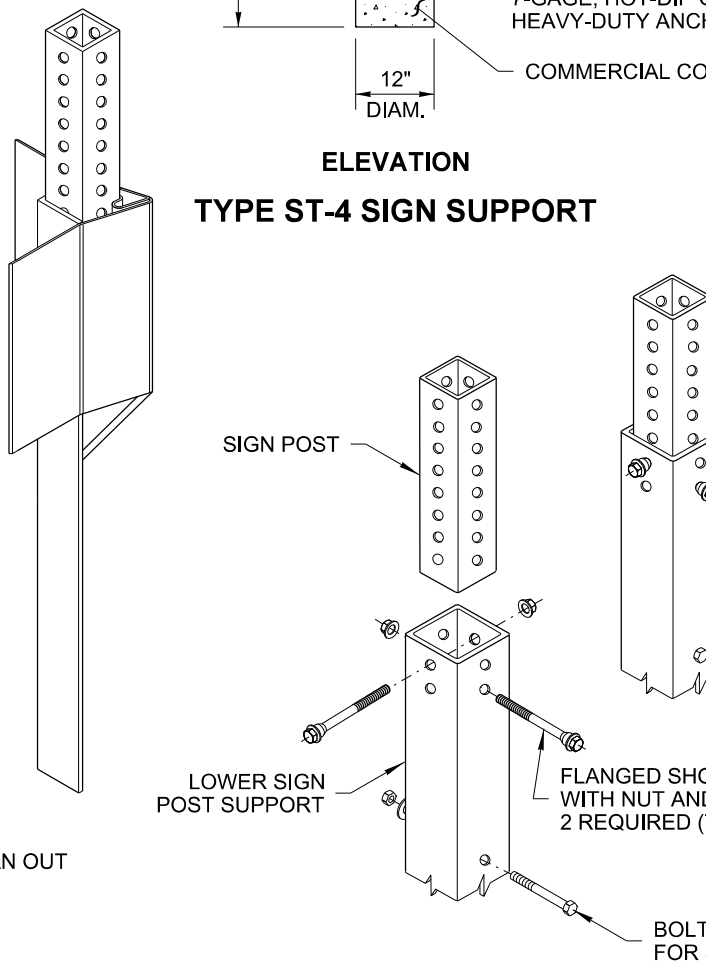
1. Dimensions for the parts used to assemble the base connections are intentionally not shown. Base connections are patented, manufactured products that are in compliance with NCHRP 350 crash test criteria. The base connection details are shown on this plan only to illustrate how the parts are assembled.
2. For "H1", refer to the Sign Specification Sheet in the Contract.
3. A 2" (in) post with a 2 1/4" (in) PSST anchor or a 2 1/4" (in) post with a 2 1/2" (in) PSST anchor may be substituted. See Contract Plans.
4. Perforated square steel post shall meet the requirements of **Standard Specification, Section 9-06**.
5. Use only base connection manufacturer supplied hardware that meets the requirements of **Standard Specification, Sections 9-06 and 9-28**.



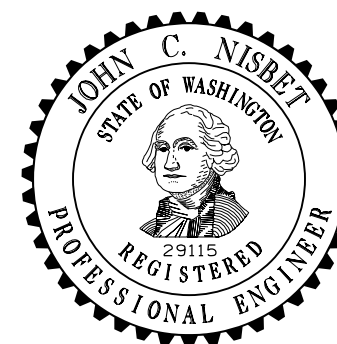
**TYPE ST-1**



**TYPE ST-2**



**TYPE ST-4**



**STEEL SIGN SUPPORT**  
**TYPES ST-1 - ST-4**  
**INSTALLATION DETAILS**  
**STANDARD PLAN G-24.50-05**

SHEET 1 OF 1 SHEET

APPROVED FOR PUBLICATION