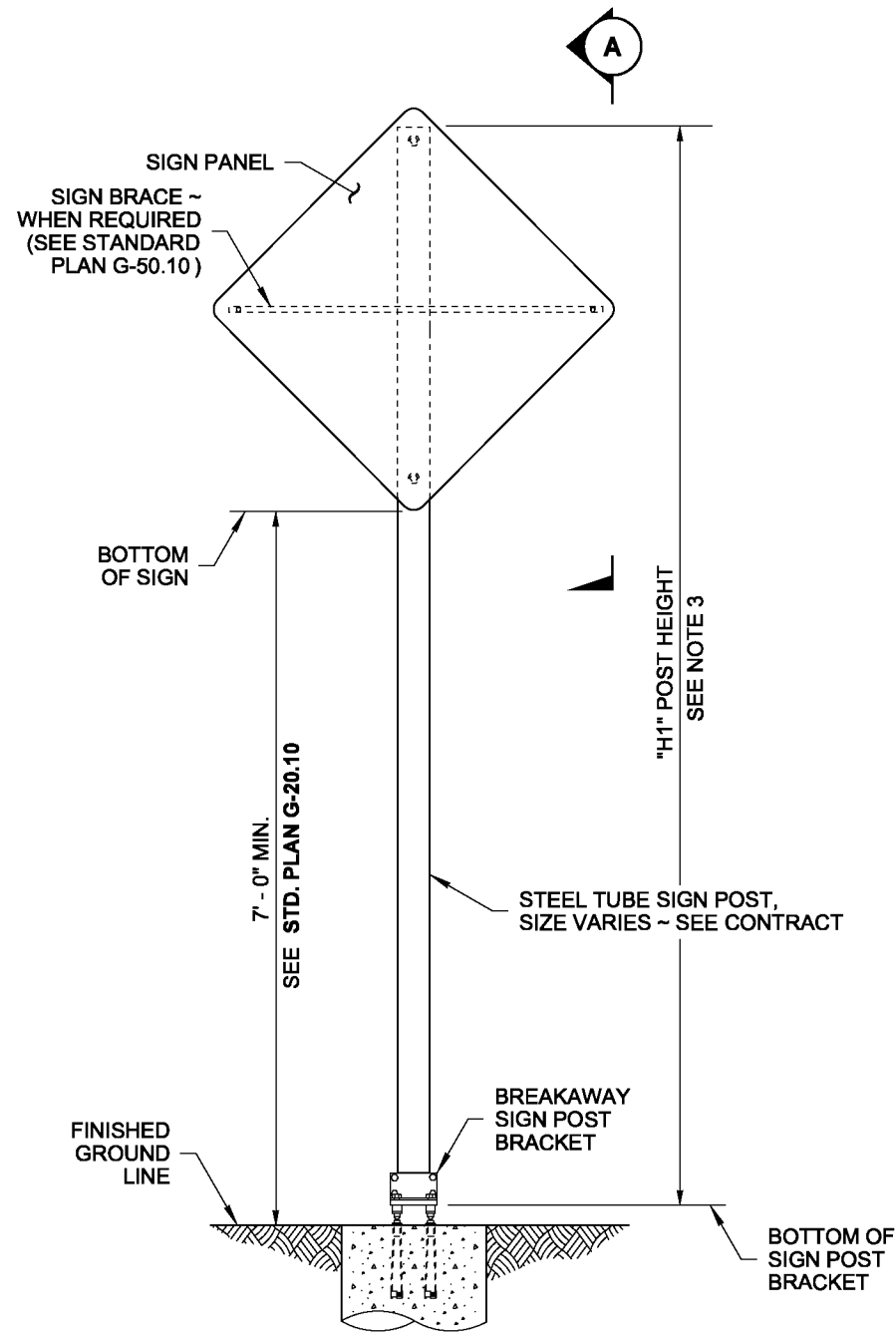
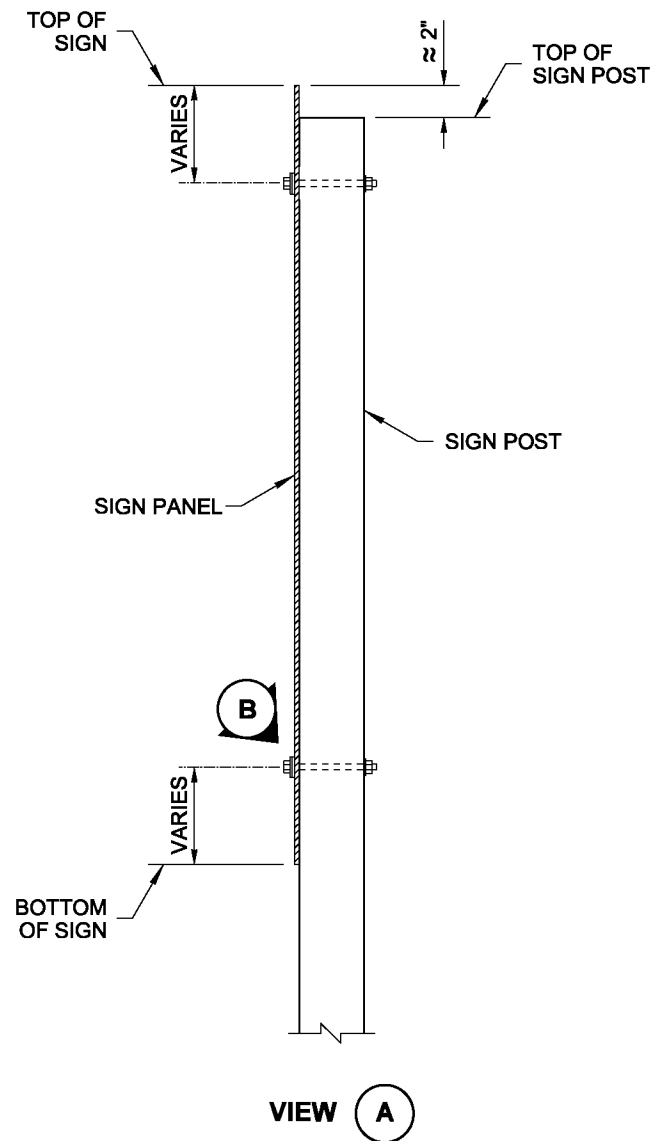


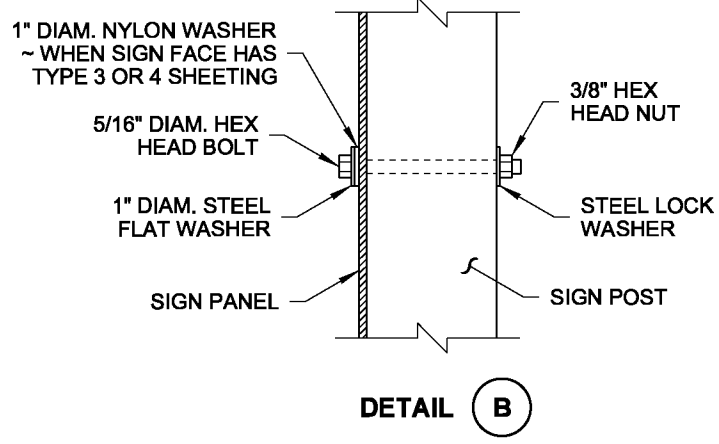
DRAWN BY: LISA CYFORD



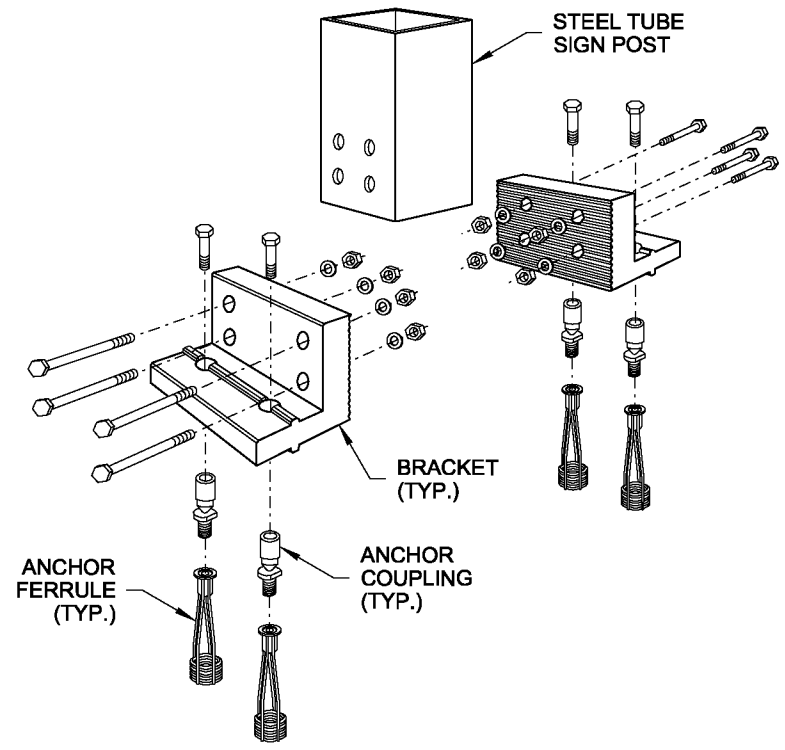
ELEVATION



VIEW A

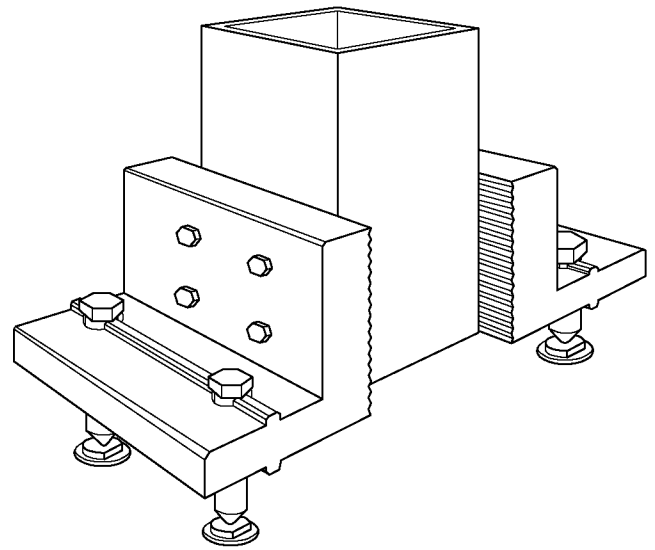


DETAIL B



EXPLODED VIEW

BREAKAWAY SIGN BRACKET ASSEMBLY

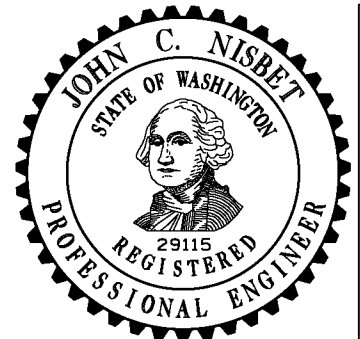


PERSPECTIVE VIEW

BREAKAWAY SIGN BRACKET ASSEMBLY

NOTES

1. Dimensions for the parts used to assemble the base connections are intentionally not shown. Base connections are patented manufactured products that are in compliance with NCHRP 350 crash test criteria. The base connection details are only shown on this plan to illustrate how the parts are assembled.
2. For Steel Sign Support Foundations, see **Standard Plan G-25.10**.
3. For "H1" refer to the Sign Specification Sheet in the Contract.



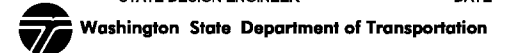
NOTE: THIS PLAN IS NOT A LEGAL ENGINEERING DOCUMENT UNTIL ELECTRONICALLY SIGNED BY THE ENGINEER AND APPROVED FOR PUBLICATION. A COPY MAY BE OBTAINED UPON REQUEST.

**STEEL SIGN SUPPORT
TYPE AS
INSTALLATION DETAILS
STANDARD PLAN G-24.20-01**

SHEET 1 OF 1 SHEET

APPROVED FOR PUBLICATION

Pasco Bakotich III 02-07-12
STATE DESIGN ENGINEER DATE



Washington State Department of Transportation