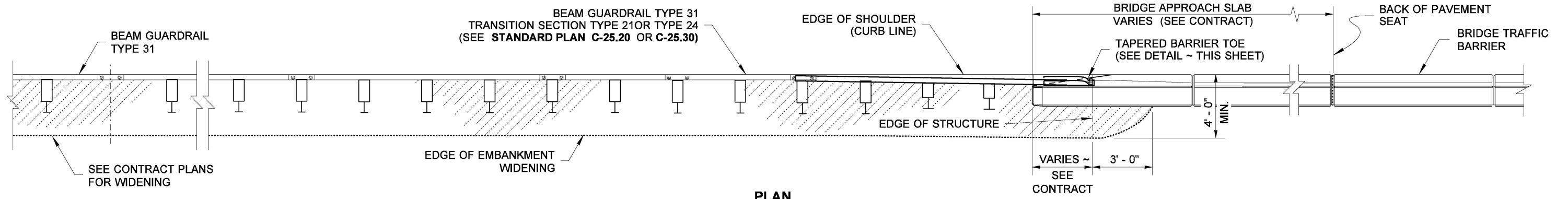
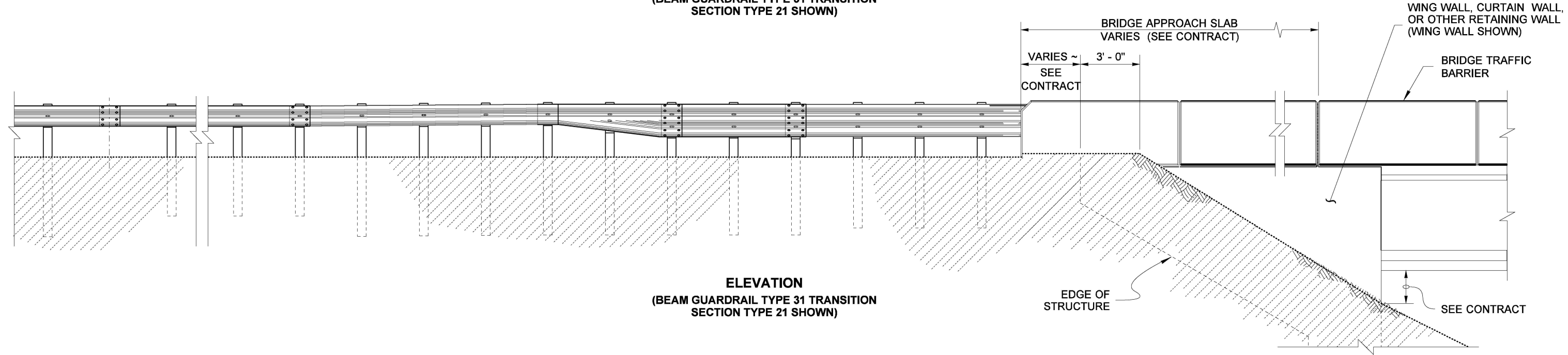


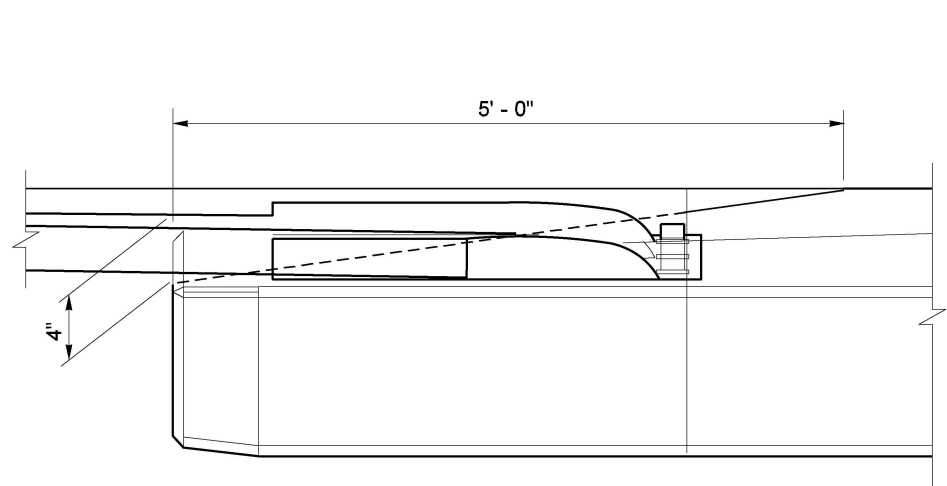
DRAWN BY: FERN LIDDELL



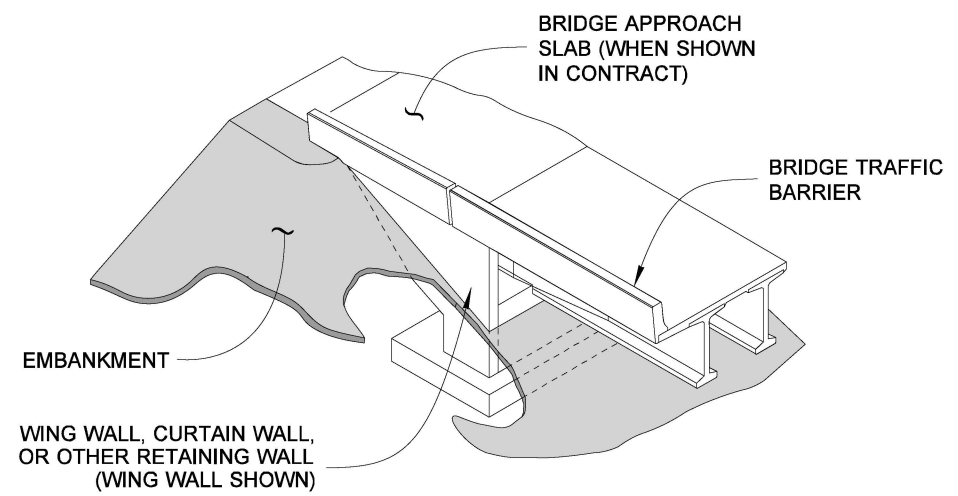
**PLAN**  
(BEAM GUARDRAIL TYPE 31 TRANSITION SECTION TYPE 21 SHOWN)



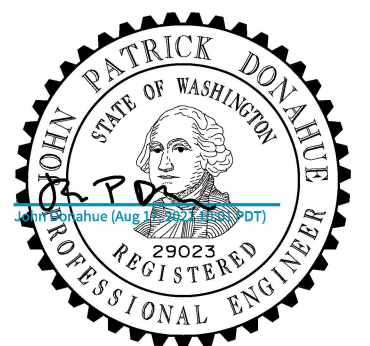
**ELEVATION**  
(BEAM GUARDRAIL TYPE 31 TRANSITION SECTION TYPE 21 SHOWN)



**TAPERED BARRIER TOE DETAIL**



**ISOMETRIC VIEW**



Aug 17, 2021

**EMBANKMENT WIDENING AT BRIDGE END**

**STANDARD PLAN A-50.10-01**

SHEET 1 OF 2 SHEETS

APPROVED FOR PUBLICATION

Aug 17, 2021

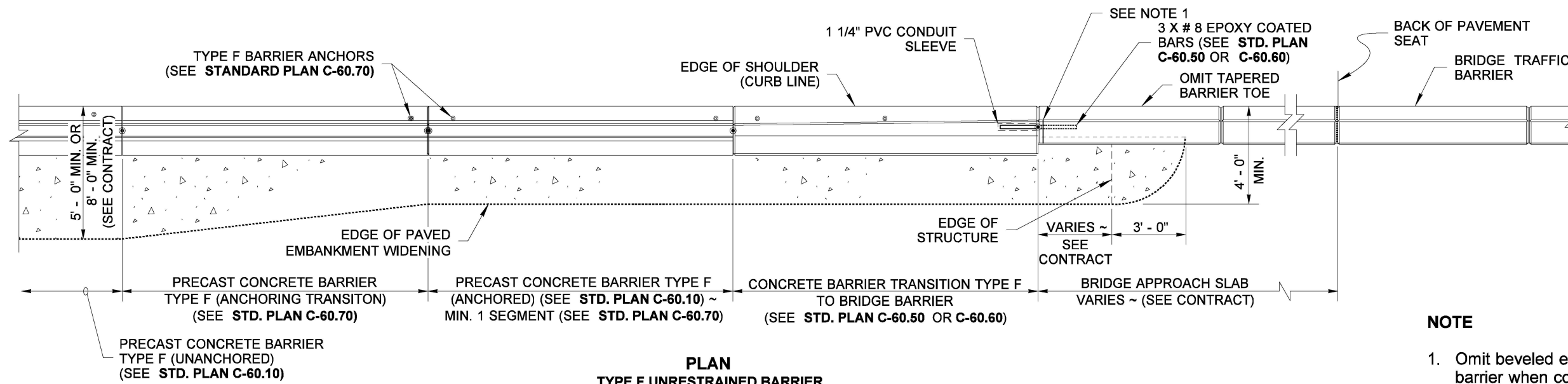
STATE DESIGN ENGINEER



Washington State Department of Transportation

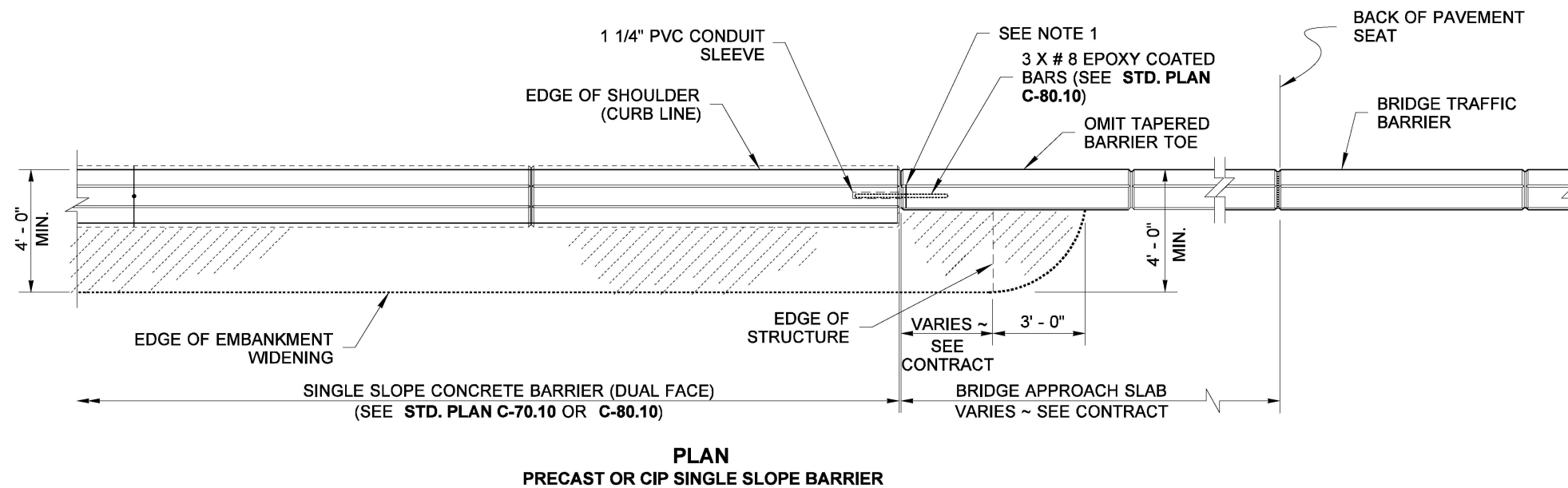
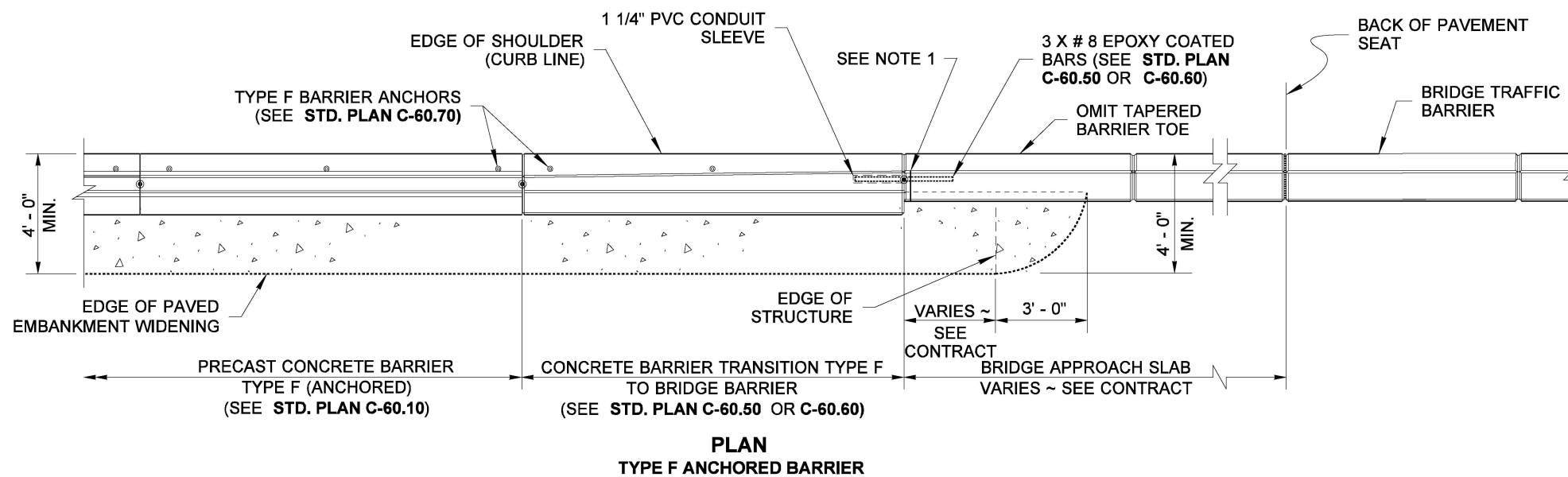
**BEAM GUARDRAIL CONNECTION TO BRIDGE TRAFFIC BARRIER**

DRAWN BY: FERN LIDDELL

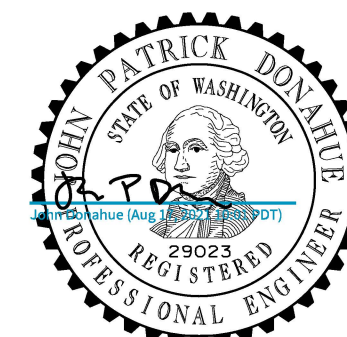


**NOTE**

1. Omit beveled ends on top of bridge traffic barrier when connecting to concrete barriers.



**CONCRETE BARRIER CONNECTION TO BRIDGE TRAFFIC BARRIER**



Aug 17, 2021

**EMBANKMENT WIDENING AT BRIDGE END**

**STANDARD PLAN A-50.10-01**

SHEET 2 OF 2 SHEETS

APPROVED FOR PUBLICATION

Aug 17, 2021

STATE DESIGN ENGINEER



Washington State Department of Transportation