

NOTES

1. The Implementation of the Manual for Assessment of Safety Hardware (MASH) criteria may result in the acceptance of guardrail terminal systems currently not shown on this plan. Non-Flared terminals shall be selected from the WSDOT Qualified Products List (QPL) or approved through the WSDOT Request for Approval of Materials (RAM) process.
2. These terminals are MASH compliant at Test Level Three (TL-3) and may be used for all posted speeds.
3. An MSKT-SP-MGS (TL-3) as manufactured by Road Systems, Inc, SOFTSTOP (TL-3) as manufactured by Valtir LLC, SGET as manufactured by SPIG Industries, or MAX-TENSION (TL-3) as manufactured by Lindsay Transportation Solutions shall be installed according to manufacturer's recommendations.
4. A reflectorized object marker shall be installed according to manufacturer's recommendations.
5. Snow load rail washers shall not be installed.
6. Provide an offset between 0 to 2' (ft) so that the impact head does not encroach onto the paved shoulder. The offset is provided over the system length of the terminal from the center of the last rail splice to either: (1) The face of the impact head at its leading edge (MSKT-SP-MGS or SGET), or (2) The center of Anchor Post 0 (Softstop or Max-Tension). Provide maximum offset where practicable.
7. For terminal details, see WSDOT approved manufacturer's drawings.
8. These terminals are supplied with steel posts and specialty posts only (i.e. wood break-away posts, anchor posts, etc.) They can be used with beam guardrail Type 31 runs composed of steel or wood guardrail posts.
9. The widened embankment dimensions shown on this plan will satisfy the installation requirements of all 4 guardrail terminal systems shown on this plan.



Oct 13, 2023

**BEAM GUARDRAIL TYPE 31
NON-FLARED TERMINAL
(ALL POSTED SPEEDS)
STANDARD PLAN C-22.40-10**

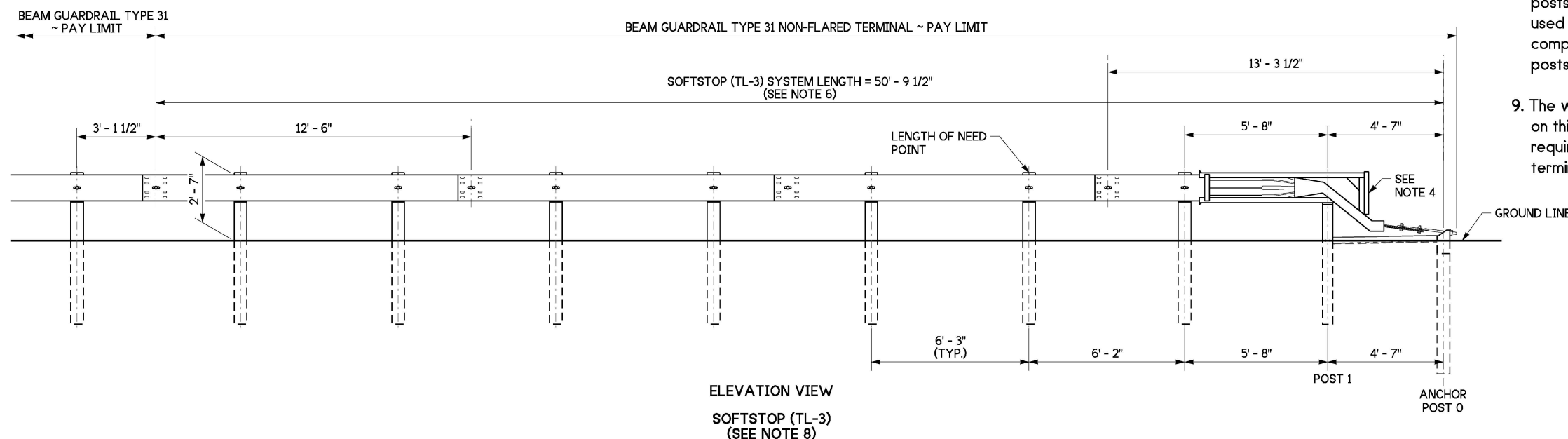
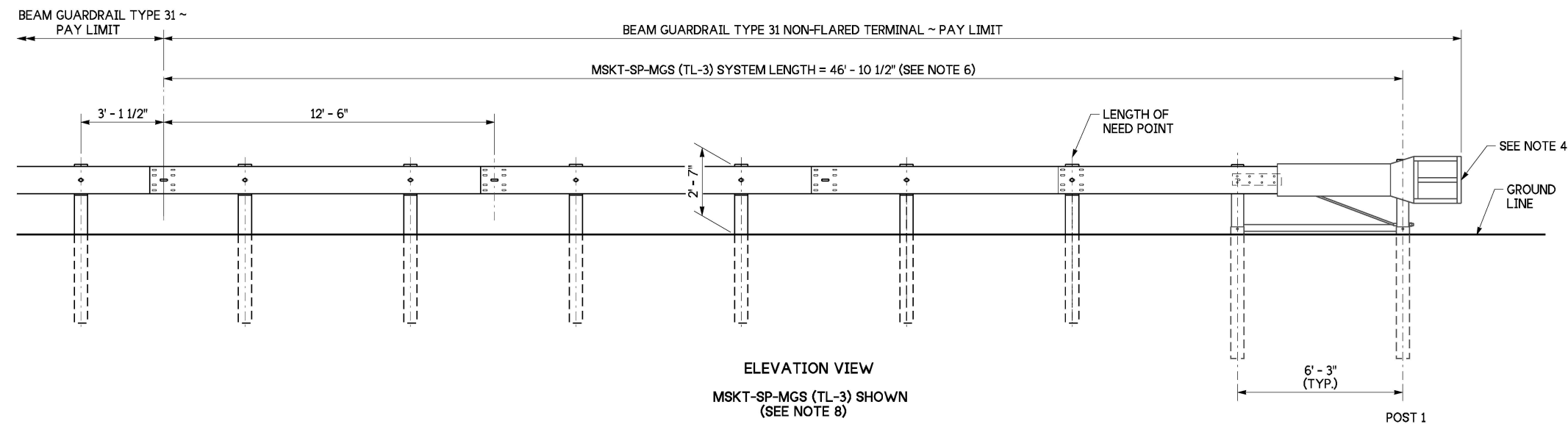
SHEET 1 OF 2 SHEETS

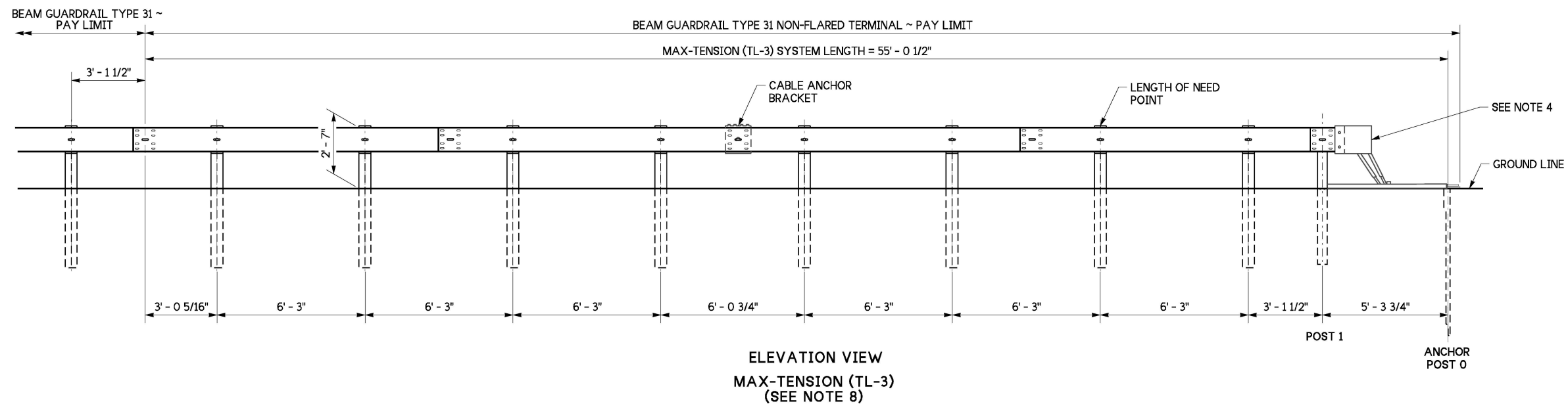
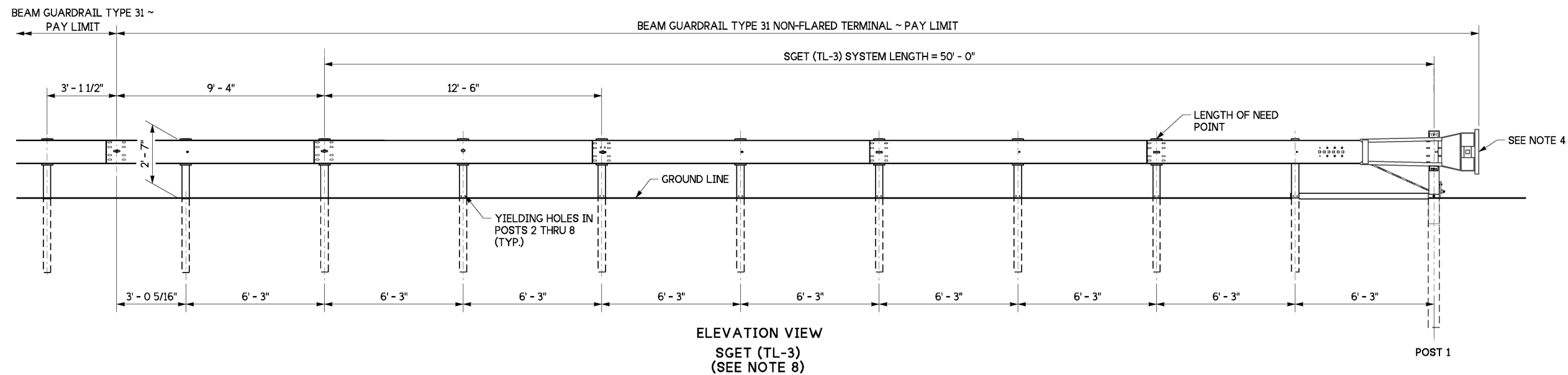
APPROVED FOR PUBLICATION

Mark A. Raines

Oct 16, 2023

STATE DESIGN ENGINEER





Oct 13, 2023

**BEAM GUARDRAIL TYPE 31
NON-FLARED TERMINAL
(ALL POSTED SPEEDS)
STANDARD PLAN C-22.40-10**

SHEET 2 OF 2 SHEETS

APPROVED FOR PUBLICATION

Mark A. Davis

Oct 16, 2023

STATE DESIGN ENGINEER

