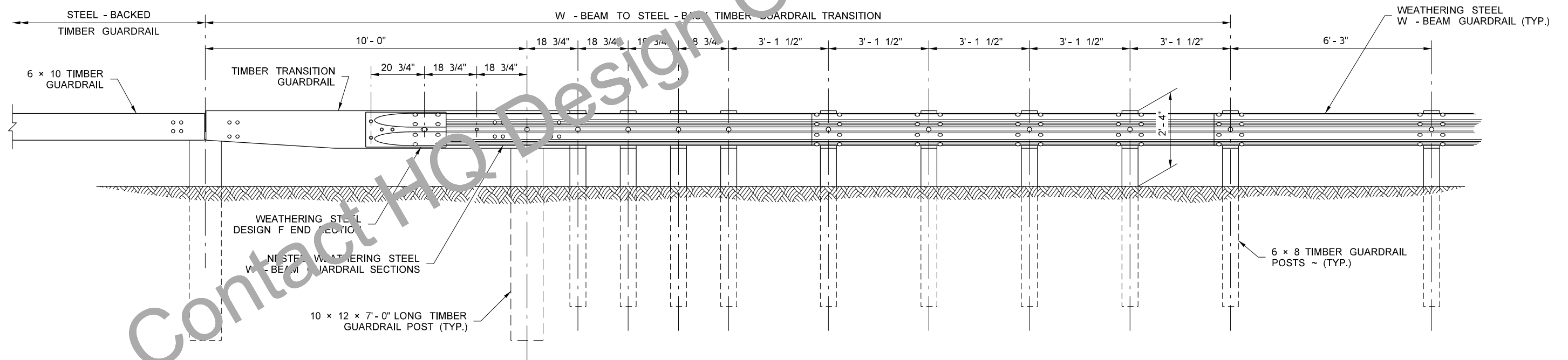



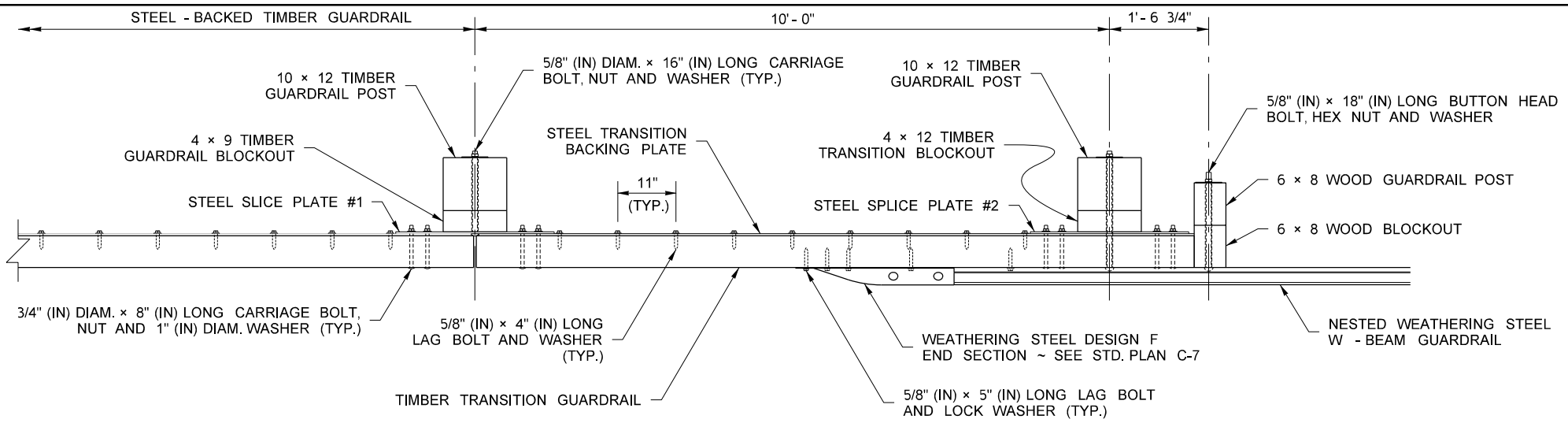
PLAN



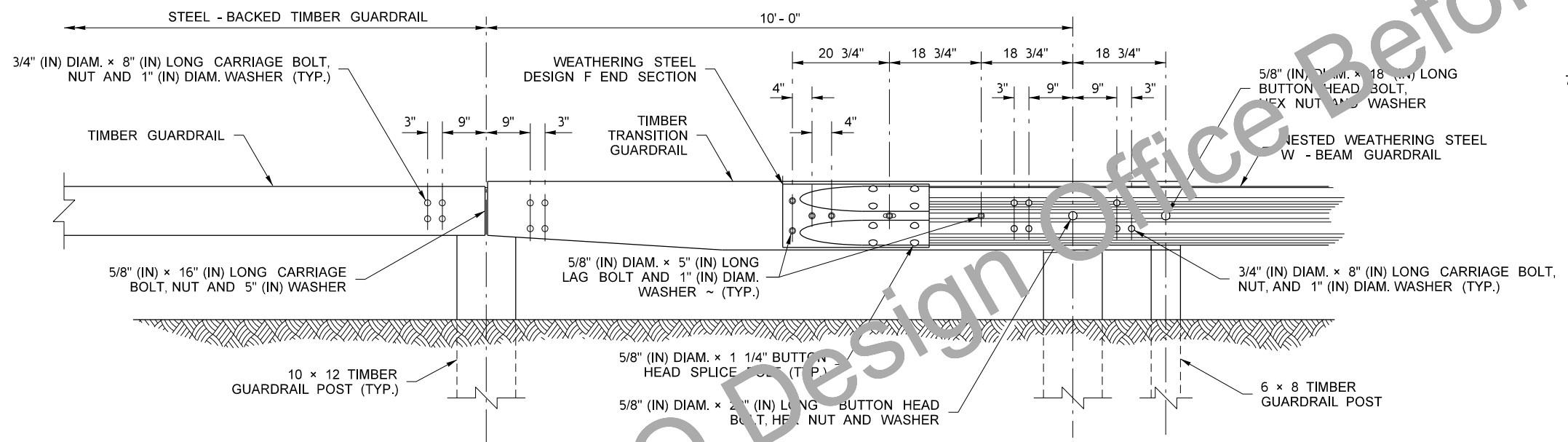
ELEVATION

FILE NAME S:\Design R P& S\4-Standards\2-Plan Sheet Library\01-Published PSL\TB) Traffic Barrier\TB-28\PS_TB-28_e.dgn		REGION NO.		STATE	FED.AID PROJ.NO.		 Washington State Department of Transportation	Plot 1
TIME 3:00:23 PM	DATE 7/5/2016	WASH		JOB NUMBER	LOCATION NO.	PLAN REF NO TB-28		
PLOTTED BY liddelf	DESIGNED BY	CONTRACT NO.	DATE		DATE		SHEET 1 OF 2 SHEETS	
ENTERED BY	CHECKED BY	REVISION		DATE				
PROJ. ENGR.	REGIONAL ADM.	BY	DATE		DATE			
		DATE		DATE				

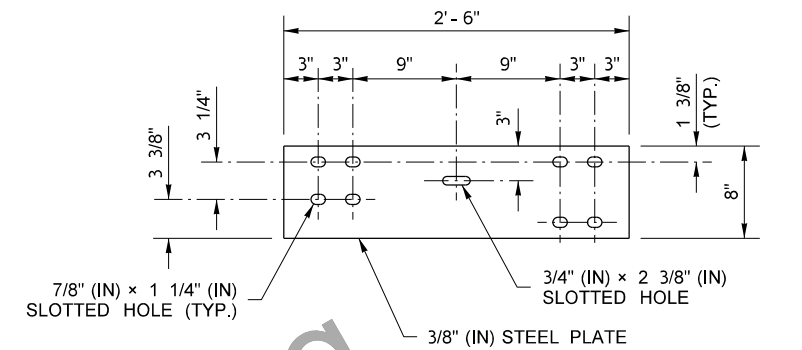
W-BEAM TO TIMBER
GUARDRAIL TRANSITION



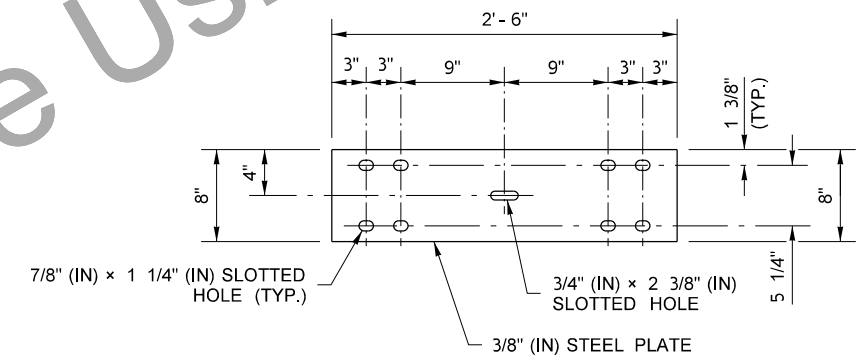
PLAN VIEW
(TIMBER AND W - BEAM GUARDRAIL CONNECTION DETAIL)



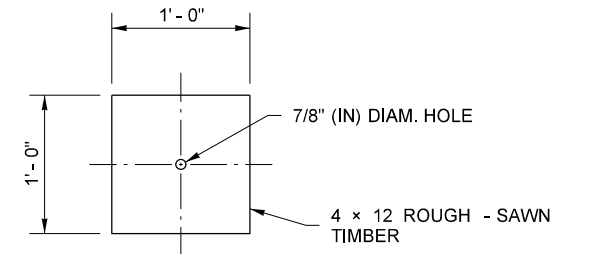
ELEVATION VIEW
(TIMBER AND W - BEAM GUARDRAIL CONNECTION DETAIL)



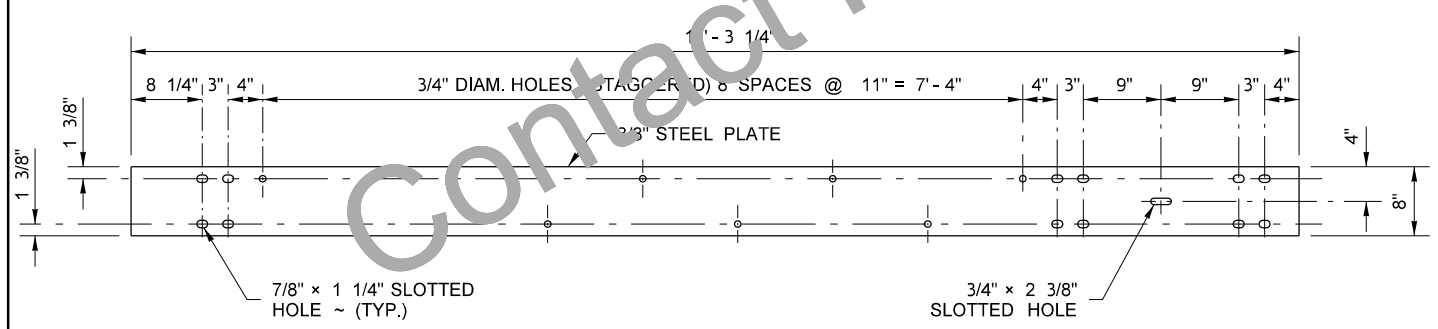
STEEL SPLICE PLATE #1



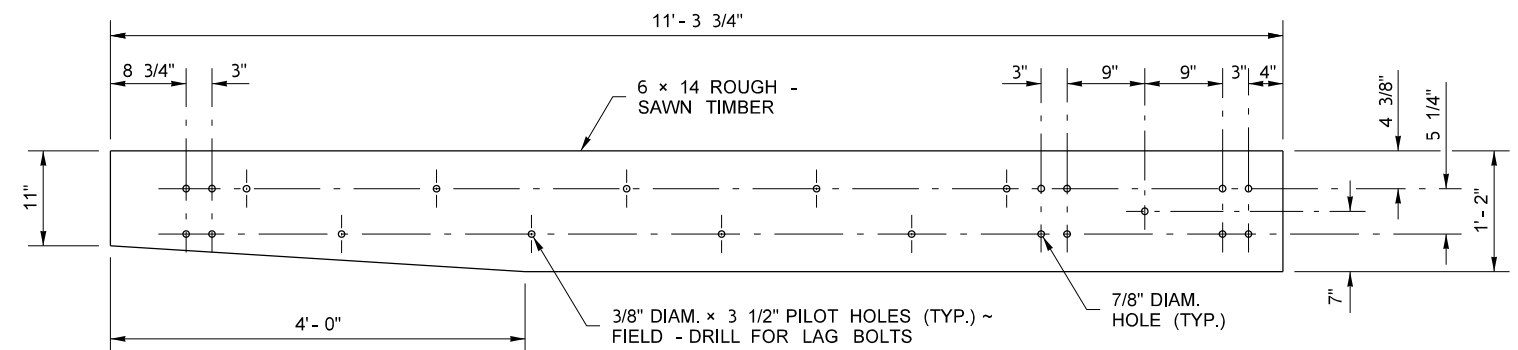
STEEL SPLICE PLATE #2



TIMBER TRANSITION BLOCKOUT



STEEL TRANSITION BACKING PLATE



TIMBER TRANSITION GUARDRAIL

FILE NAME	S:\Design R P& S\4-Standards\2-Plan Sheet Library\01-Published PSL\TB) Traffic Barrier\TB-28\PS_TB-28.dgn				REGION NO.	STATE	FED. AID PROJ. NO.	Plot 2
TIME	3:03:58 PM				10	WASH		TB-28
DATE	7/5/2016				JOB NUMBER			SHEET 2 OF 2 SHEETS
PLOTTED BY	liddelf				CONTRACT NO.		LOCATION NO.	
DESIGNED BY								
ENTERED BY								
CHECKED BY								
PROJ. ENGR.								
REGIONAL ADM.	REVISION	DATE	BY					



W-BEAM TO TIMBER GUARDRAIL TRANSITION