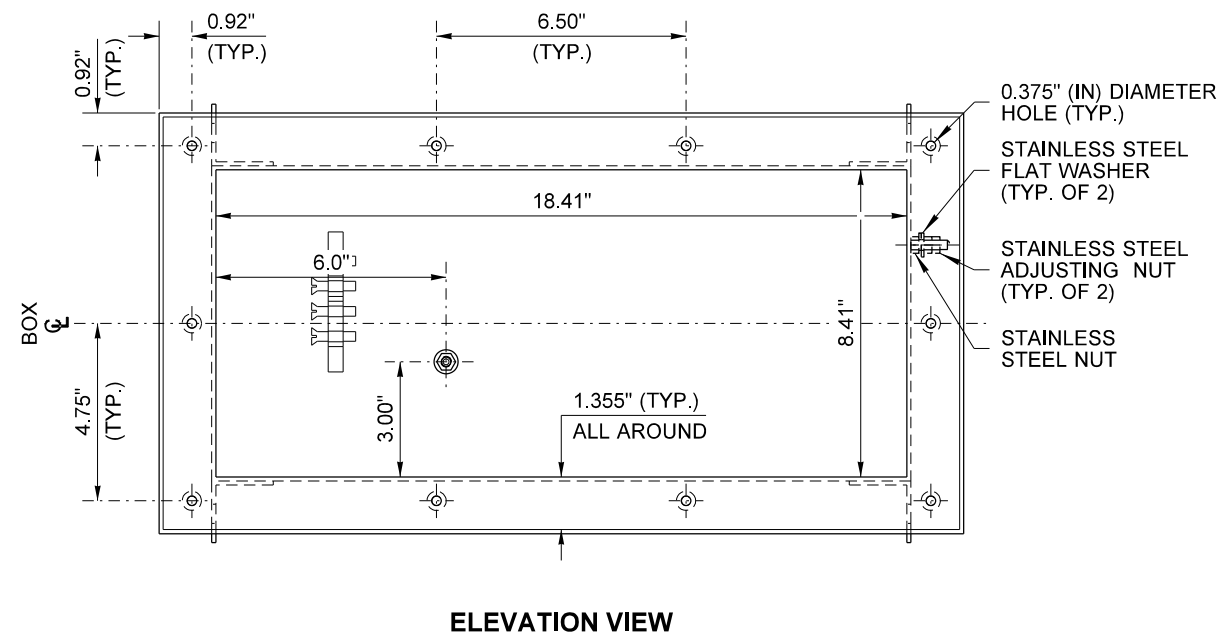
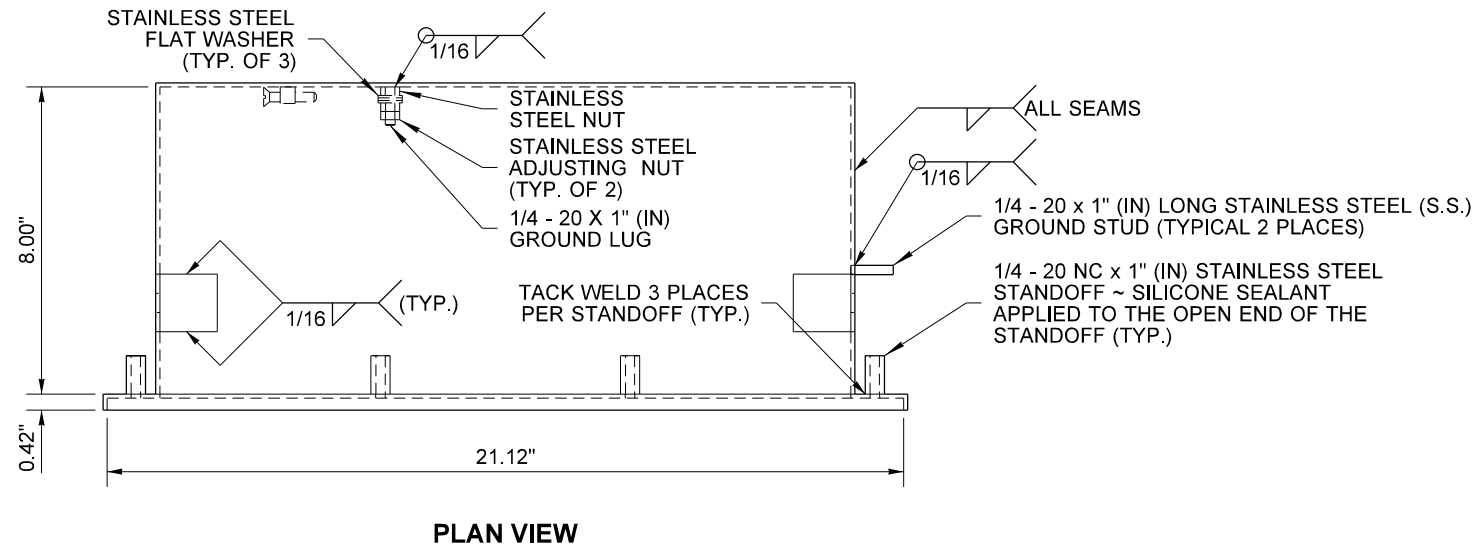
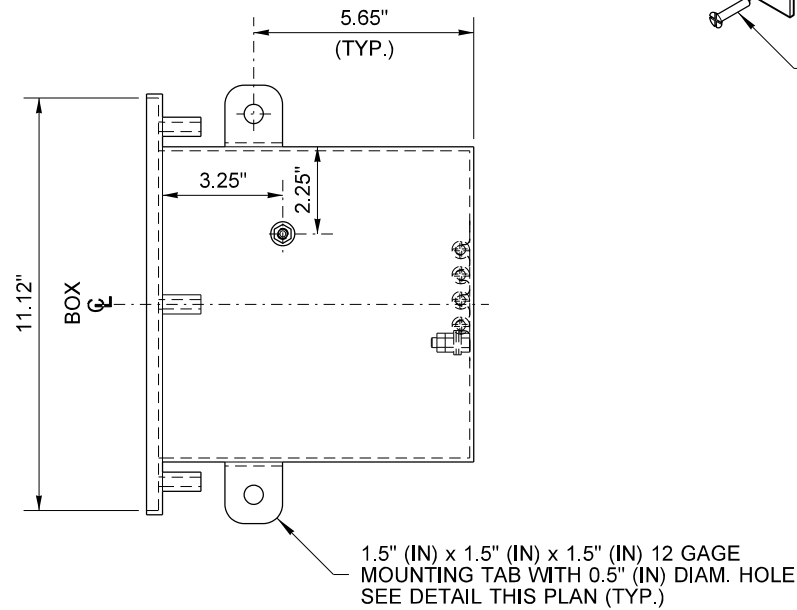


**NOTES**

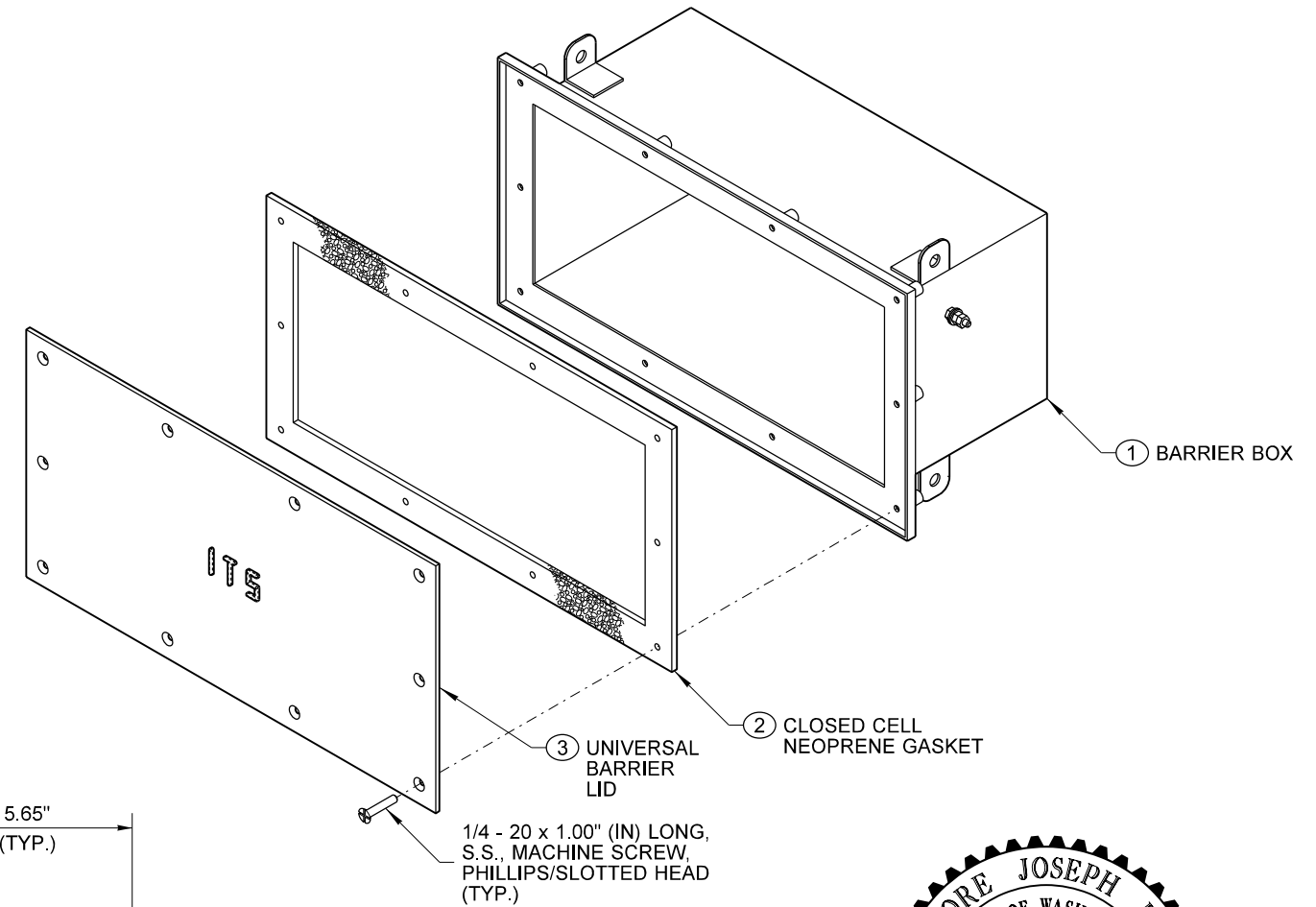
1. Junction Box shall be constructed of 12-gage, Type 304 stainless with steel welded seam construction. Finish shall be # 2B for backbox and # 4 for the cover. Mounting Tabs shall be constructed of 12-gage, Type 304 stainless steel. All hardware shall be Type A304 Stainless Steel.
2. The System Identification letters shall be 1/8" line thickness formed by engraving, stamping, or with a stainless steel weld bead. See **Standard Specification 9-29.2(4)** for details.
3. Conduit Capacity = 8" (4" per end).



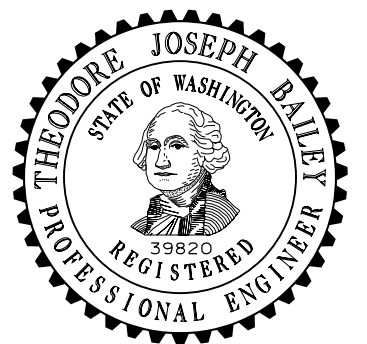
① BARRIER BOX



**SIDE VIEW**



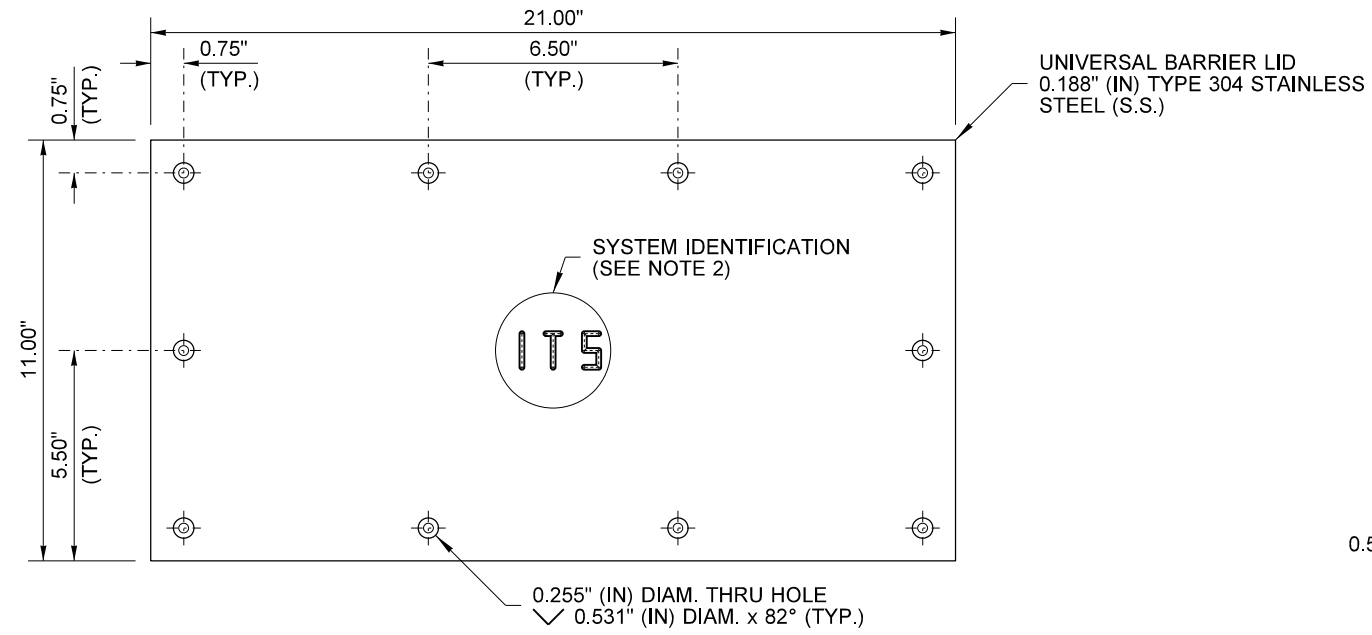
**EXPLODED ISOMETRIC VIEW ASSEMBLY DETAIL**



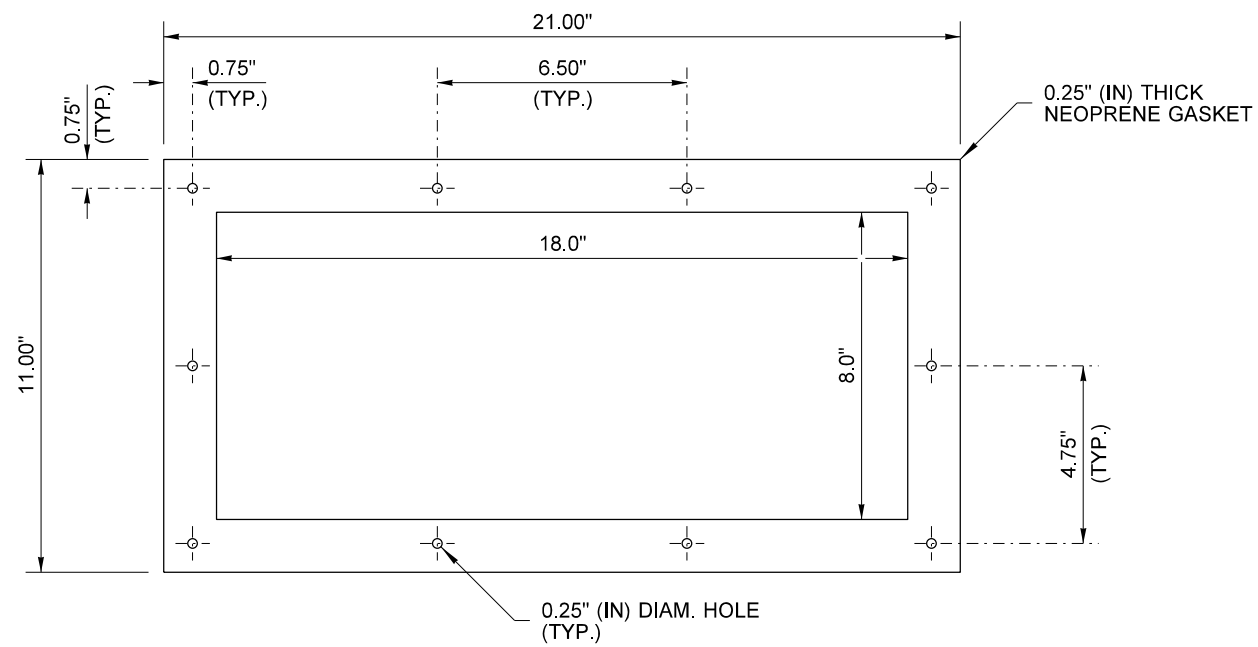
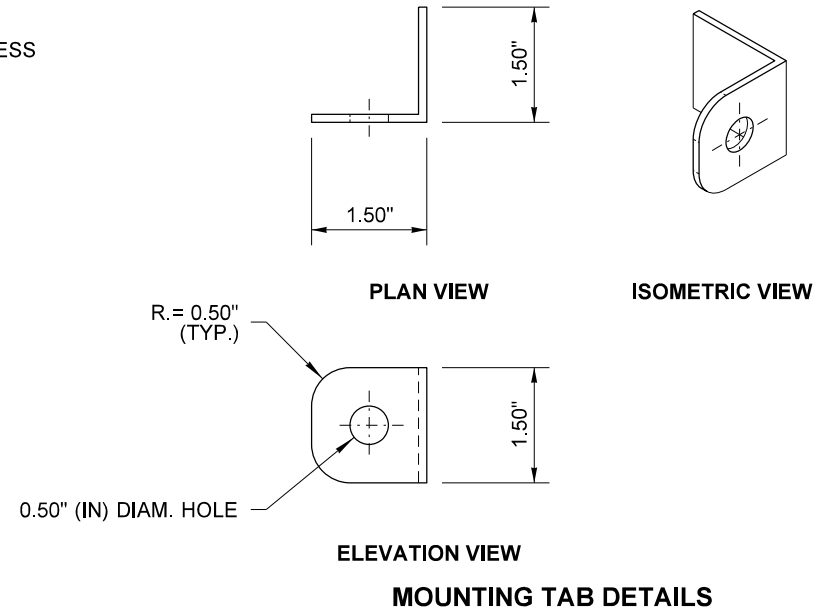
**NEMA 4X  
NON-ADJUSTABLE  
FLUSH-MOUNT  
JUNCTION BOX  
STANDARD PLAN J-40.36-02**

SHEET 1 OF 2 SHEETS

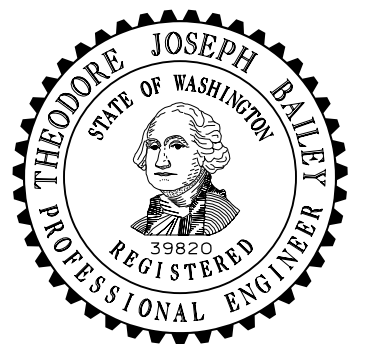
APPROVED FOR PUBLICATION



③ UNIVERSAL LID



② GASKET



**NEMA 4X  
NON-ADJUSTABLE  
FLUSH-MOUNT  
JUNCTION BOX  
STANDARD PLAN J-40.36-02**

SHEET 2 OF 2 SHEETS

APPROVED FOR PUBLICATION

STATE DESIGN ENGINEER  
 Washington State Department of Transportation