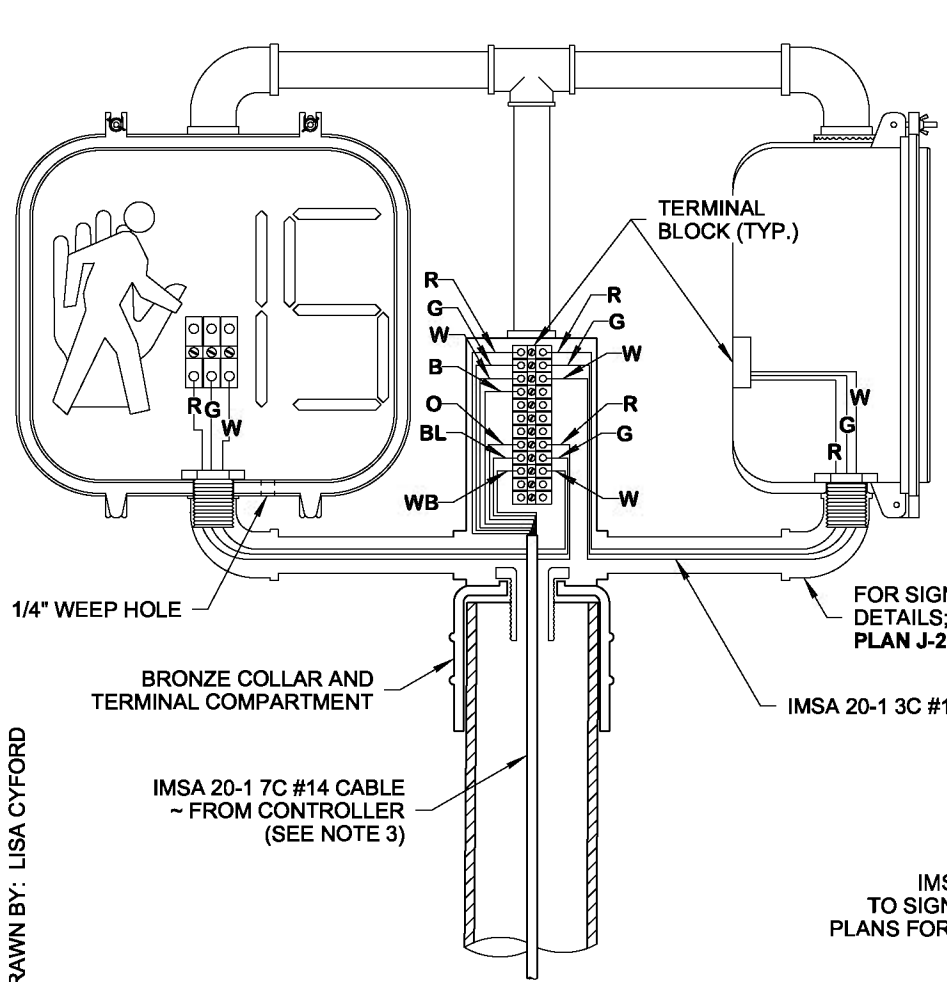
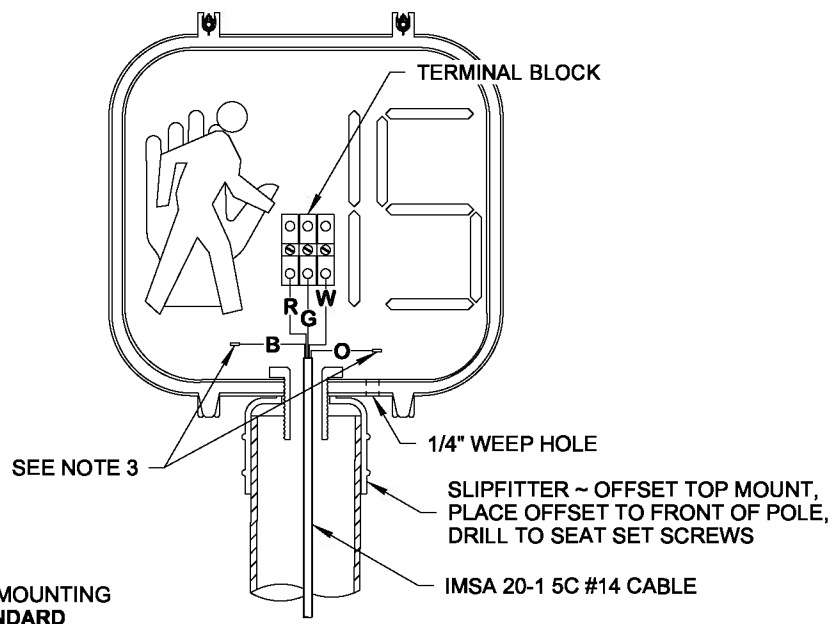


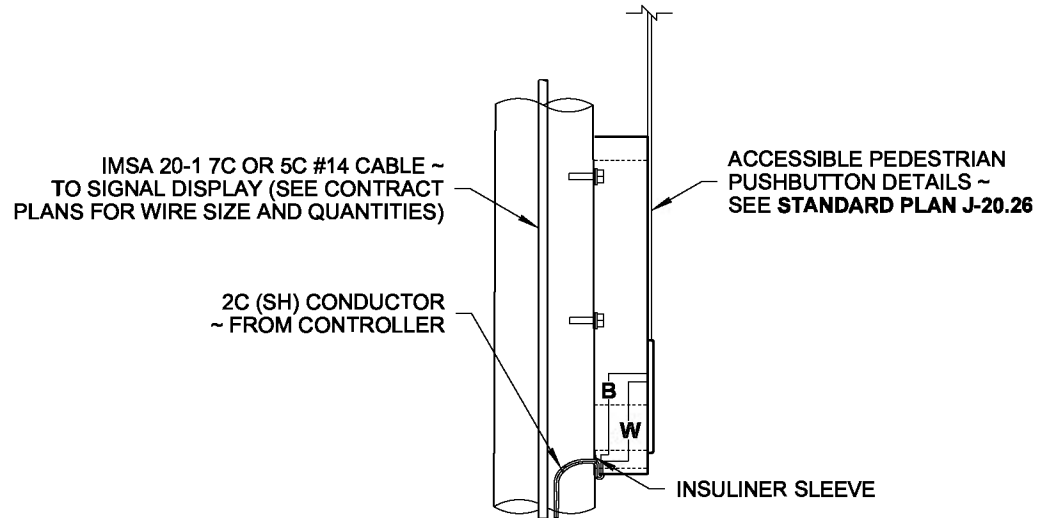
DRAWN BY: LISA CYFORD



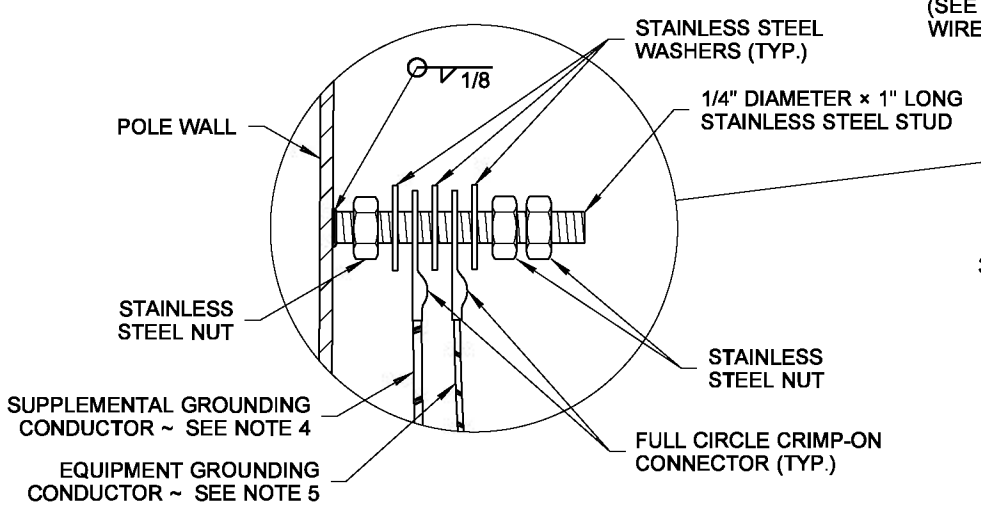
**DOUBLE PEDESTRIAN SIGNAL WIRING DETAIL**  
(TYPE C MOUNTING SHOWN)



**PEDESTRIAN SIGNAL WIRING DETAIL**  
(TYPE D MOUNTING SHOWN)

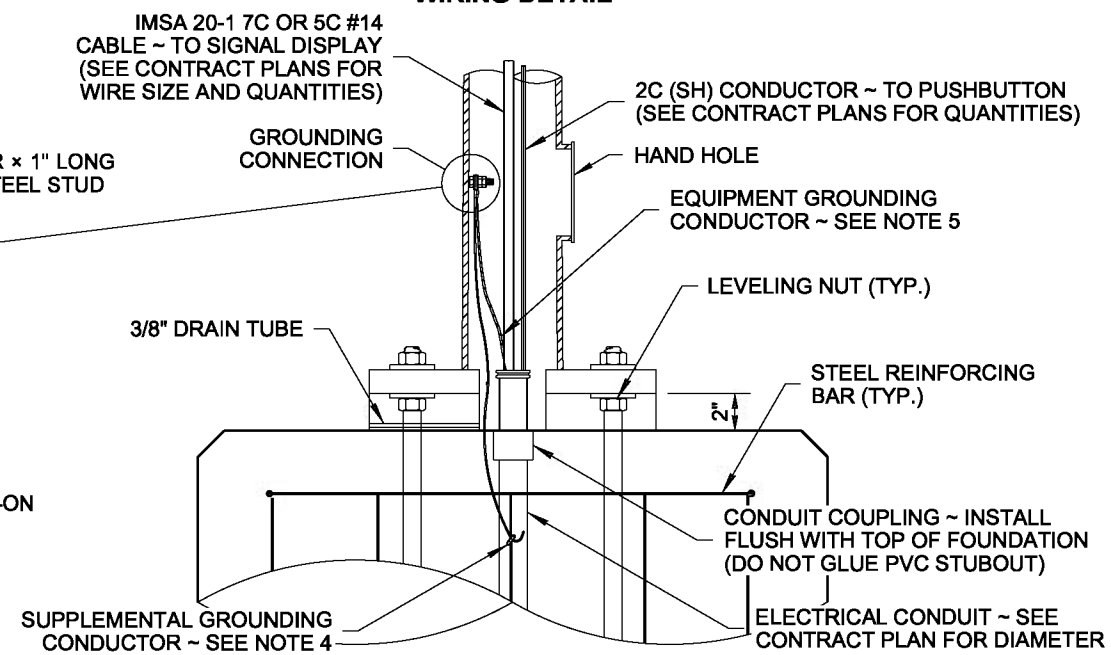


**ACCESSIBLE PEDESTRIAN PUSHBUTTON WIRING DETAIL**



**GROUNDING CONNECTION DETAIL**

CONFIGURATIONS VARY AMONG DIFFERENT MANUFACTURERS (SHOWN EXPLODED FOR CLARITY)



**FOUNDATION WIRING DETAIL**

**NOTES**

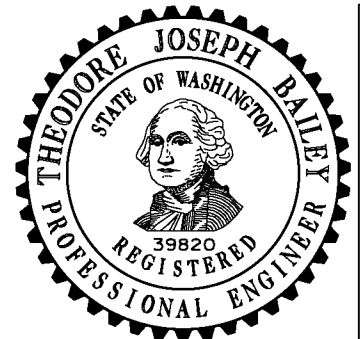
1. See **Standard Plan J-21.10** for Signal Standard Foundation with Fixed Base and Slip Base details.
2. See **Standard Specification 9-29.3** for Cable Conductor requirements.
3. Install heat shrink caps on all spare conductors not terminated on a terminal strip.
4. Supplemental grounding conductor shall be non-insulated #4 AWG stranded copper and shall be clamped to vertical rebar with a connector suitable for use embedded in concrete: provide 3' - 0" min. slack. Attach to pole grounding stud with a full circle crimp-on connector (crimped with manufacturer's recommended crimper).
5. Equipment grounding conductor shall attach to grounding stud with a full circle crimp-on connector (crimped with a manufacturer's recommended crimper).

5C PEDESTRIAN HEAD TERMINATIONS		
TERMINAL NUMBER	COLOR CODE	USE
7 * 1	R	DON'T WALK DISPLAY
7 * 2	G	WALK DISPLAY
7 * 3	W	NEUTRAL CONDUCTOR
7 * 6	B	SPARE CONDUCTOR
7 * 7	O	SPARE CONDUCTOR

\* ASSOCIATED PHASE NUMBER

7C PEDESTRIAN HEAD TERMINATIONS		
TERMINAL NUMBER	COLOR CODE	USE
7 * 1	R	DON'T WALK DISPLAY
7 * 2	G	WALK DISPLAY
7 * 3	W	NEUTRAL CONDUCTOR
7 * 6	B	SPARE CONDUCTOR
7 * 1	O	DON'T WALK DISPLAY
7 * 2	BL	WALK DISPLAY
7 * 3	WB	NEUTRAL CONDUCTOR

\* ASSOCIATED PHASE NUMBER



NOTE: THIS PLAN IS NOT A LEGAL ENGINEERING DOCUMENT UNTIL ELECTRONICALLY SIGNED BY THE ENGINEER AND APPROVED FOR PUBLICATION. IT IS NOT TO BE FILED AT THE WASHINGTON STATE DEPARTMENT OF TRANSPORTATION. A COPY MAY BE OBTAINED UPON REQUEST.

**PEDESTRIAN SIGNAL STANDARD (TYPE PS) ELECTRICAL DETAIL**  
**STANDARD PLAN J-20.20-02**

SHEET 1 OF 1 SHEET

APPROVED FOR PUBLICATION

**Pasco Bakotich III** 5/20/13  
STATE DESIGN ENGINEER DATE

Washington State Department of Transportation