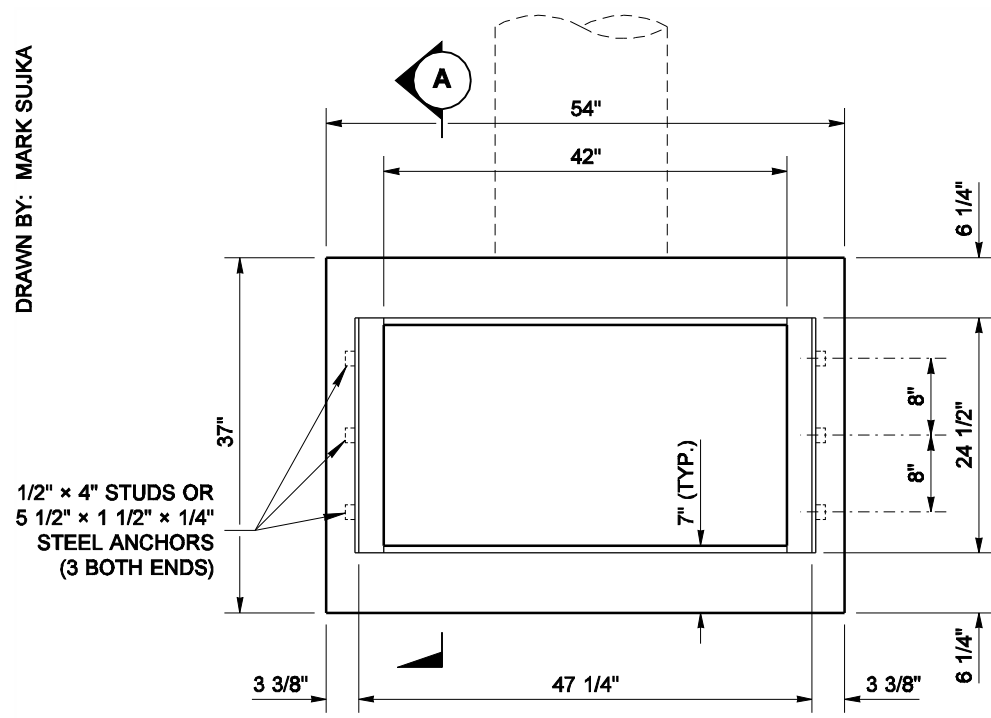
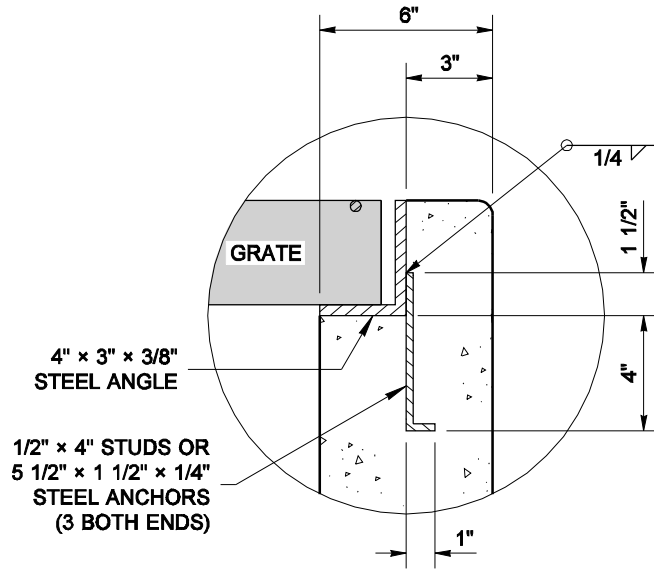


DRAWN BY: MARK SUJKA



TOP VIEW

1/2" x 4" STUDS OR  
5 1/2" x 1 1/2" x 1/4"  
STEEL ANCHORS  
(3 BOTH ENDS)



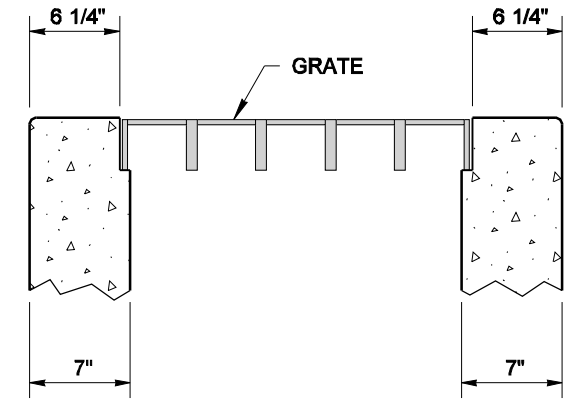
DETAIL B

1/2" x 4" STUDS OR  
5 1/2" x 1 1/2" x 1/4"  
STEEL ANCHORS  
(3 BOTH ENDS)

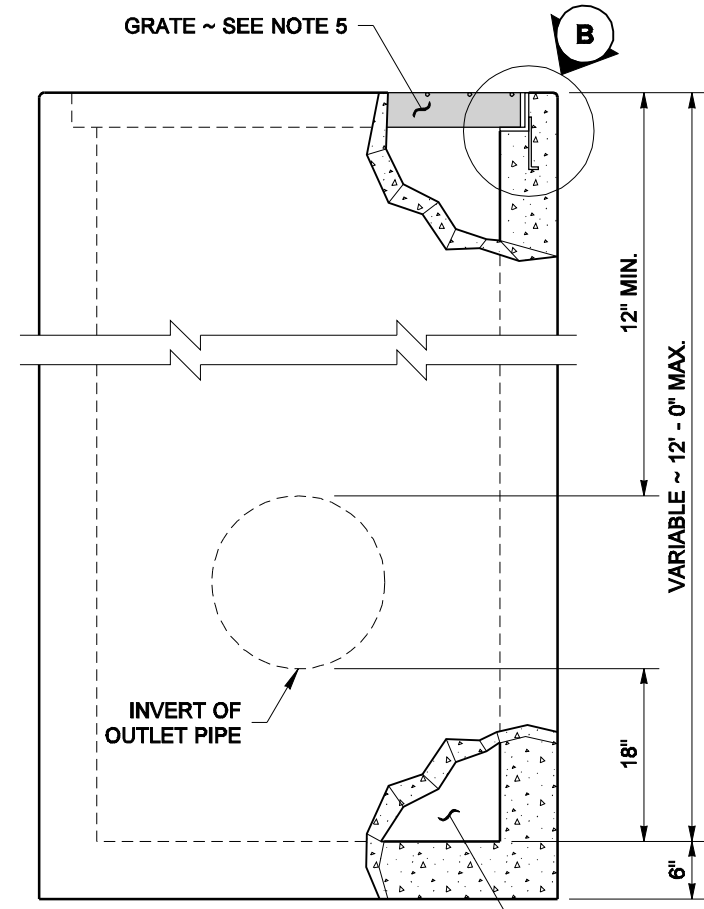
4" x 3" x 3/8"  
STEEL ANGLE

NOTES

1. The Steel Angles shall be set so that each bearing bar of prefabricated grate shall have full bearing on both ends. The finished top of concrete shall be even with the grate surface.
2. All exposed concrete shall be finished with a 1/2" radius.
3. The grade line of the top inside of any pipe shall enter no lower than the grade line of the top inside of the outlet pipe.
4. Pipes may enter through the knockouts on any side at any reasonable angle, provided the outside of the pipe can be contained between two opposite walls.
5. See contract for type of grate specified. See Standard Plan B-40.20 and B-40.40 for grate details.



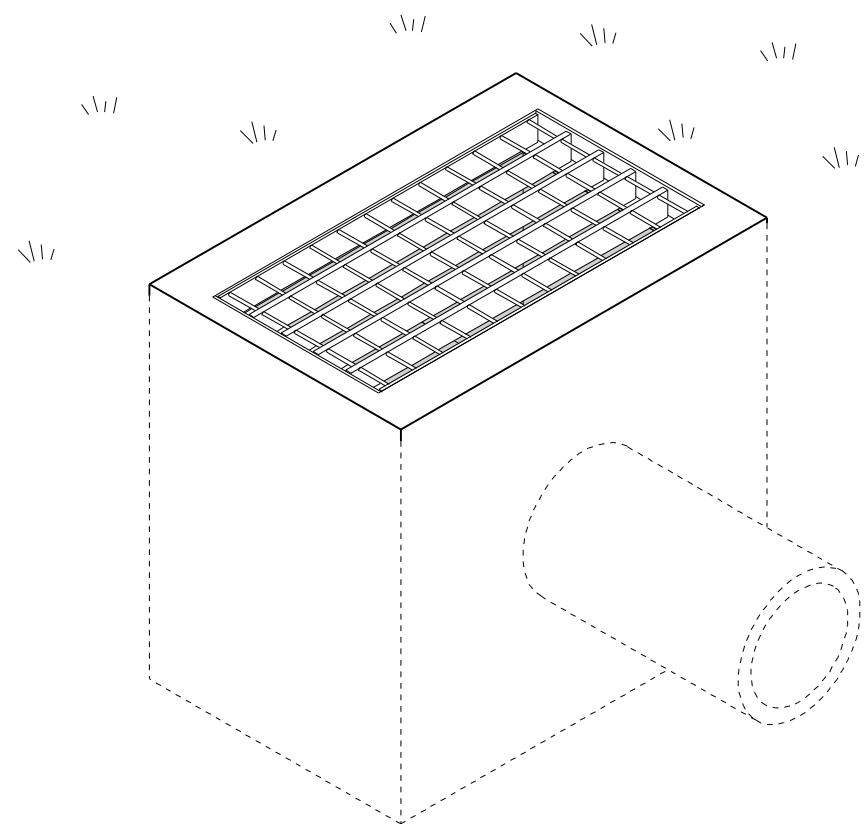
SECTION A



SIDE VIEW

INVERT OF  
OUTLET PIPE

SILTING BASIN



ISOMETRIC VIEW



EXPIRES JULY 1, 2007

NOTE: THIS PLAN IS NOT A LEGAL ENGINEERING DOCUMENT BUT AN ELECTRONIC DUPLICATE. THE ORIGINAL, SIGNED BY THE ENGINEER AND APPROVED FOR PUBLICATION, IS KEPT ON FILE AT THE WASHINGTON STATE DEPARTMENT OF TRANSPORTATION. A COPY MAY BE OBTAINED UPON REQUEST.

**GRATE INLET TYPE 1  
(CAST-IN-PLACE)**  
**STANDARD PLAN B-35.20-00**

SHEET 1 OF 1 SHEET

APPROVED FOR PUBLICATION

**Harold J. Peterfeso** 06-08-06  
STATE DESIGN ENGINEER DATE

