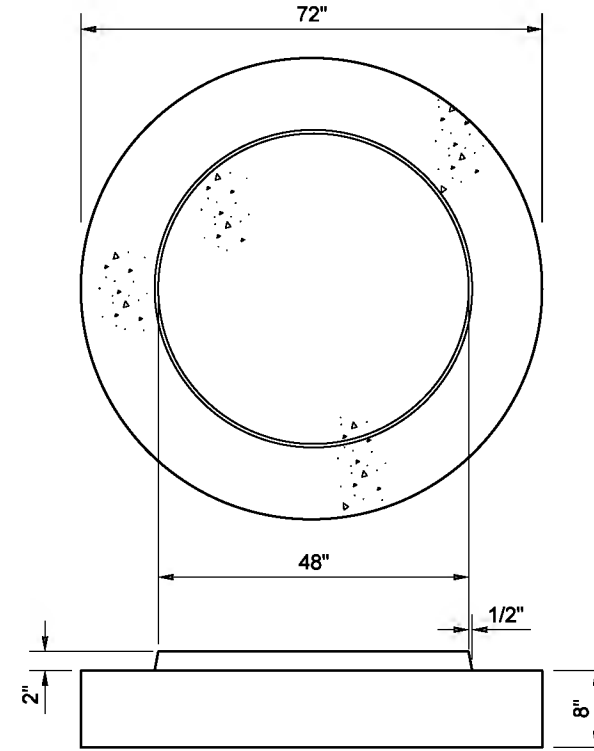
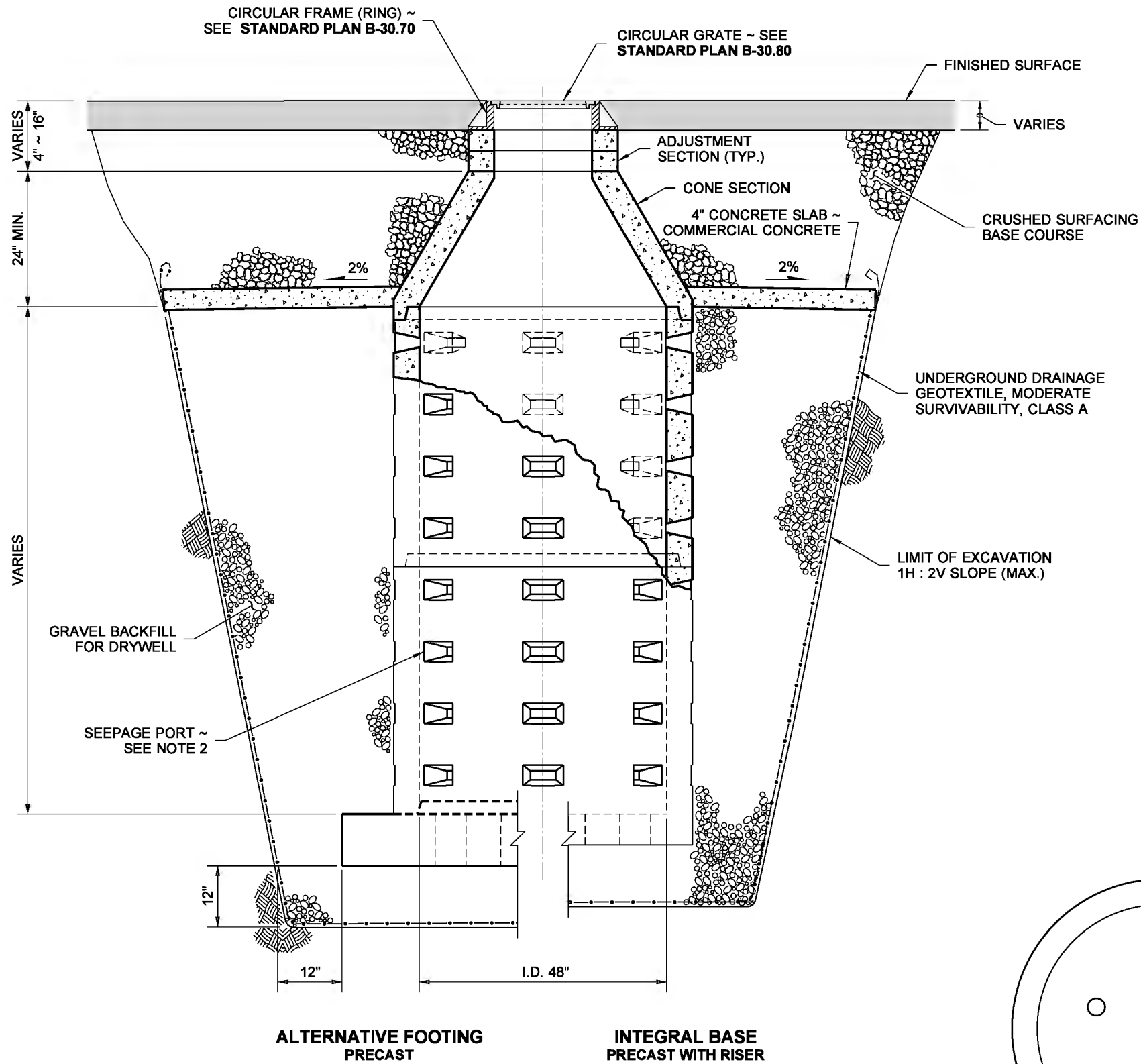
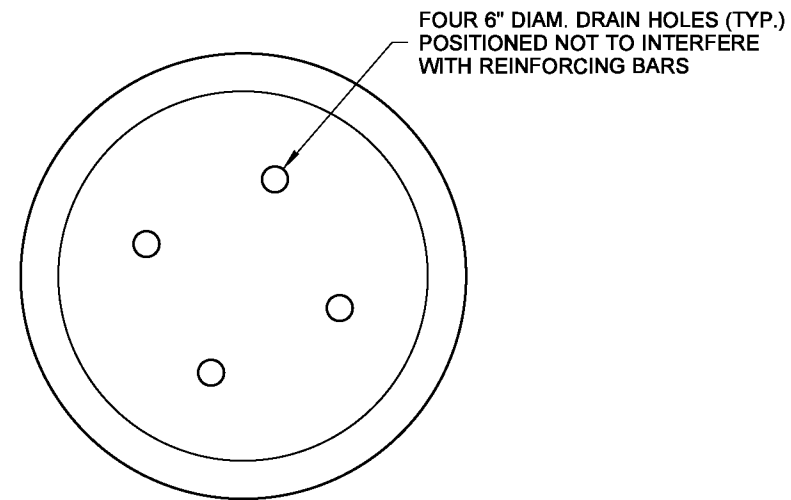


DRAWN BY: FERN LIDDELL



**ALTERNATIVE PRECAST FOOTING DETAIL**



**INTEGRAL BASE DETAIL**

**NOTES**

1. Precast concrete cone sections may be eccentric or concentric.
2. Seepage port orientation varies among manufacturers.
3. For depths over 16' - 2" use 72" x 8" Alternative Precast Footing.
4. When necessary, knockouts on precast cone, drywell base and riser sections shall have a wall thickness of 1 1/2" minimum and 2" maximum.

**ALTERNATIVE FOOTING PRECAST**

**INTEGRAL BASE PRECAST WITH RISER**

**CUTAWAY ELEVATION VIEW**



NOTE: THIS PLAN IS NOT A LEGAL ENGINEERING DOCUMENT UNTIL IT IS SIGNED AND SEALED BY THE ENGINEER. THE ENGINEER'S SIGNATURE AND SEAL MUST BE FILED AT THE WASHINGTON STATE DEPARTMENT OF TRANSPORTATION. A COPY MAY BE OBTAINED UPON REQUEST.

**DRYWELL TYPE 3  
(WITH AT-GRADE INLET)  
STANDARD PLAN B-20.60-03**

SHEET 1 OF 1 SHEET

APPROVED FOR PUBLICATION

**Pasco Bakotich III** 03-15-12

STATE DESIGN ENGINEER DATE

