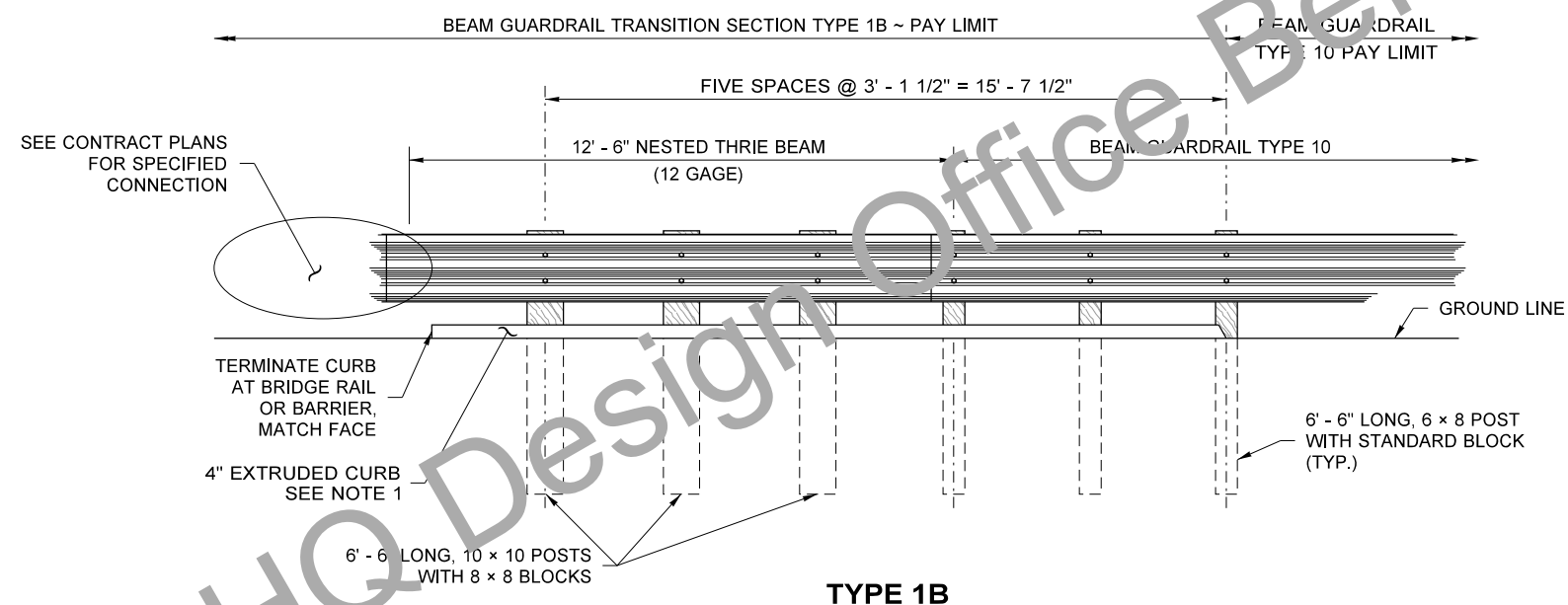


**NOTE**

1. INSTALL EXTRUDED CURB AT FACE OF GUARDRAIL. SEE STANDARD PLAN F-10.40 FOR DETAILS.



**BEAM GUARDRAIL TRANSITION SECTION (TYPE 1B)**

FILE NAME		S:\Design R P & S\4-Standards\2-Plan Sheet Library\02-PSL Work in Progress\C series conversion\TB-c301\TB-c301.dgn		REGION NO.		STATE		FED.AID PROJ.NO.		DATE		P.E. STAMP BOX		DATE		P.E. STAMP BOX		Washington State Department of Transportation		Plot 2	
TIME		10:28:42 AM		10		WASH												TB-C301			
DATE		8/2/2018																			
PLOTTED BY		liddelf																			
DESIGNED BY																					
ENTERED BY																					
CHECKED BY																					
PROJ. ENGR.																					
REGIONAL ADM.																					
		REVISION		DATE		BY															