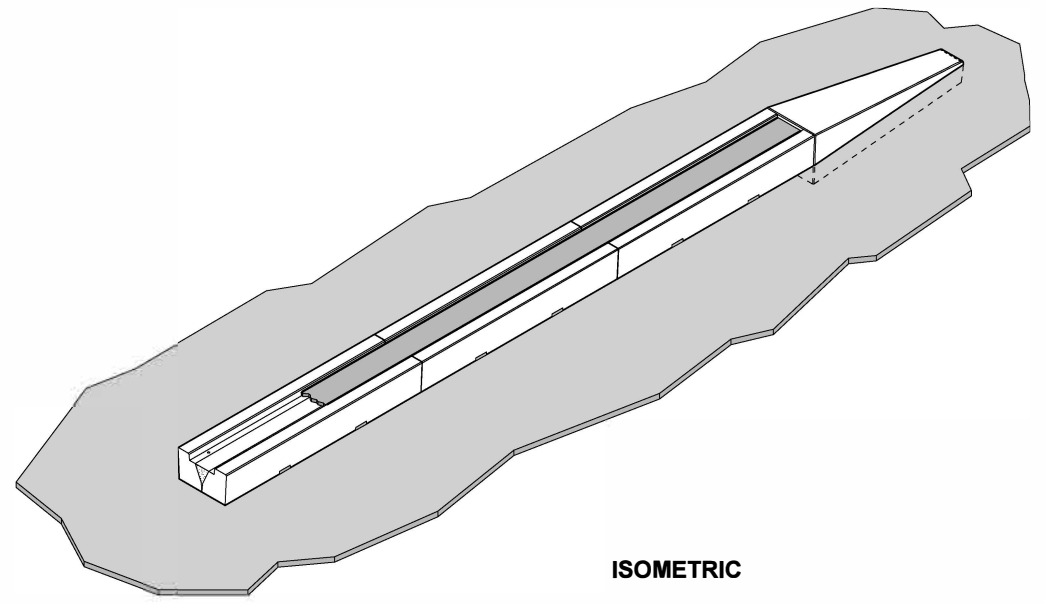
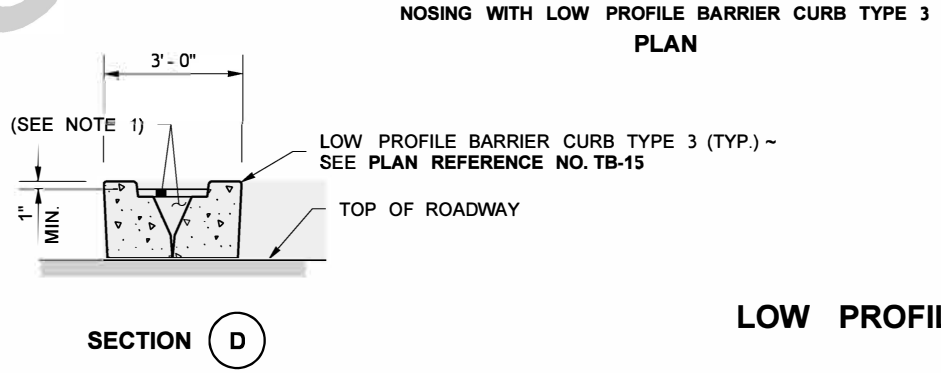
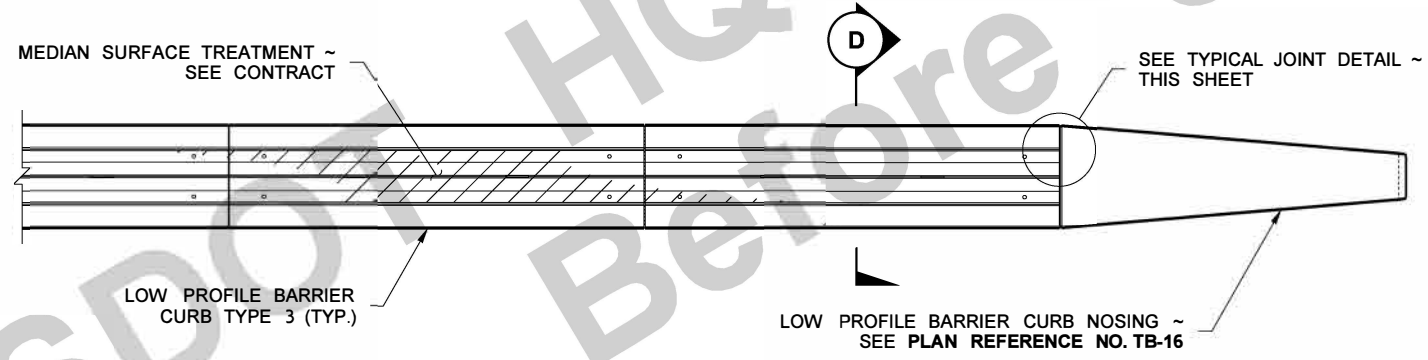
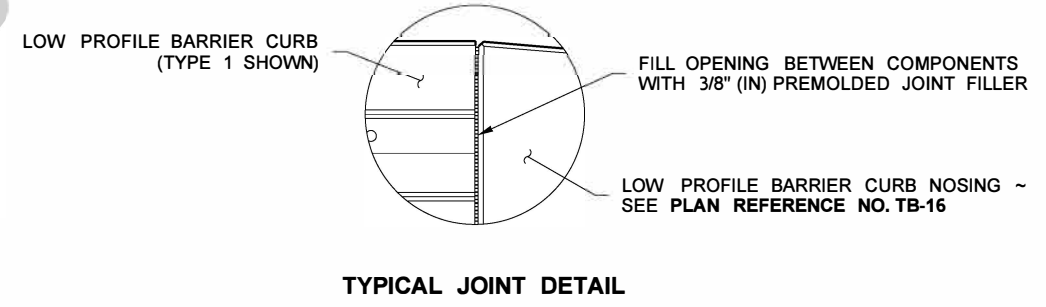
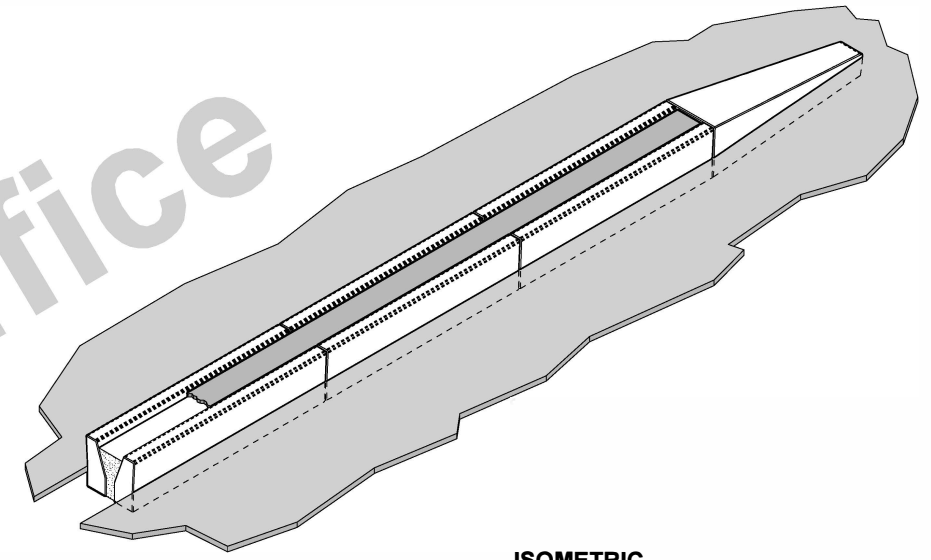


NOTE
1. FOR BACKFILL AND SURFACE TREATMENT, SEE CONTRACT.



**LOW PROFILE BARRIER CURB PLACEMENT ~ CASE 2
(NARROW)**

FILE NAME	S:\Design R P& S\4-Standards\2-Plan Sheet Library\01-Master PSL\TB Traffic Barrier\TB-19\TB-19.dgn			REGION NO.	STATE	FED.AID PROJ.NO.			Plot 2
TIME	9:55:02 AM								PLAN REF NO
DATE	10/10/2023				WASH				TB-19
PLOTTED BY	liddelf								SHEET
DESIGNED BY									2
ENTERED BY									OF
CHECKED BY									2
PROJ. ENGR.									SHEETS
REGIONAL ADM.		REVISION	DATE	BY		DATE	P.E. STAMP BOX		LOW PROFILE BARRIER PLACEMENT (PRECAST)



**LOW PROFILE BARRIER PLACEMENT
(PRECAST)**