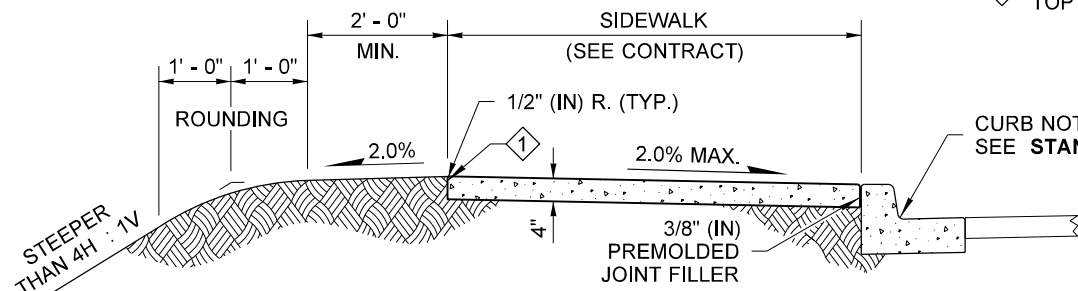
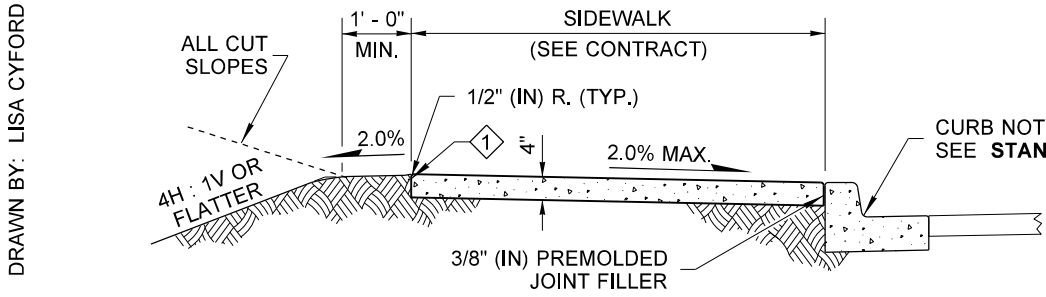


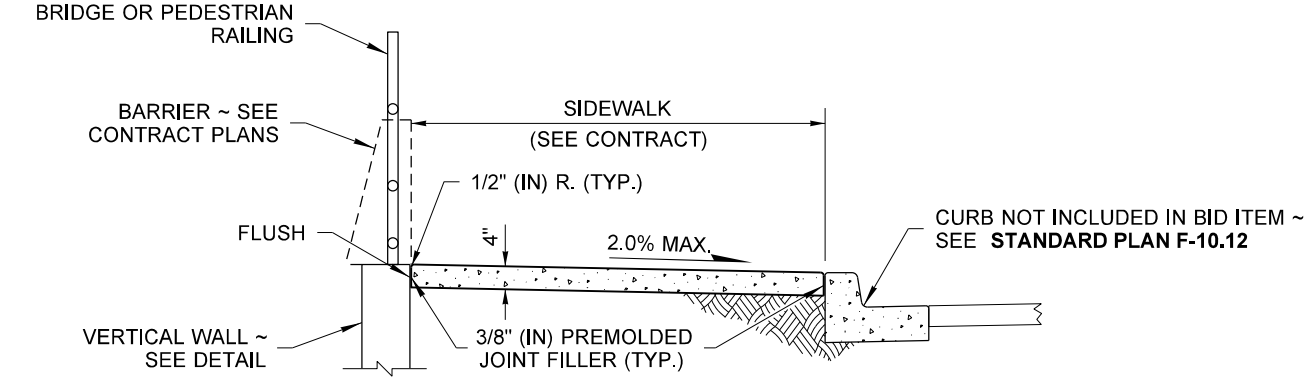
**WITH RAISED EDGE**



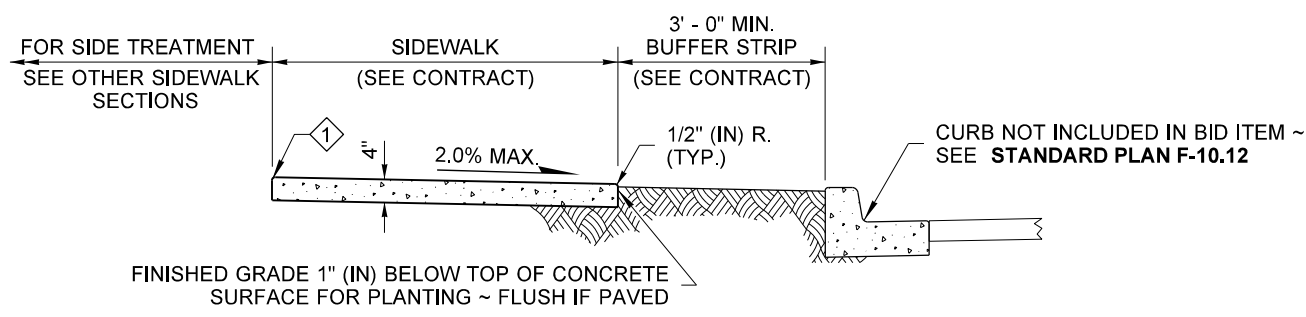
**ADJACENT TO CURB  
(STEEP FILL SLOPES)**



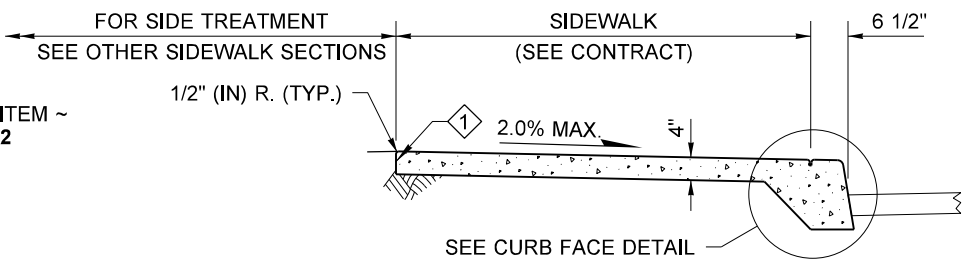
**ADJACENT TO CURB  
(ALL CUT SLOPES)**



**ADJACENT TO CURB AND RAILING OR WALL**



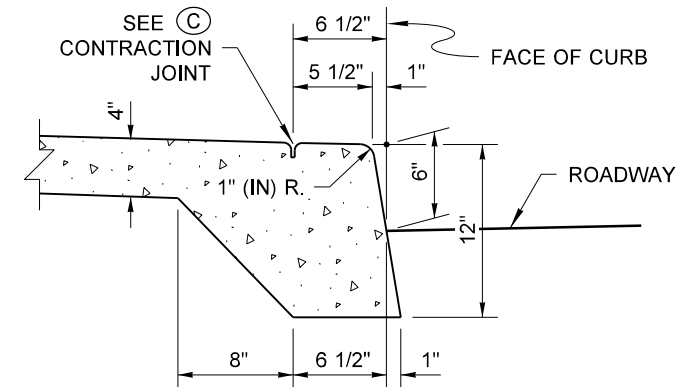
**ADJACENT TO BUFFER STRIP**



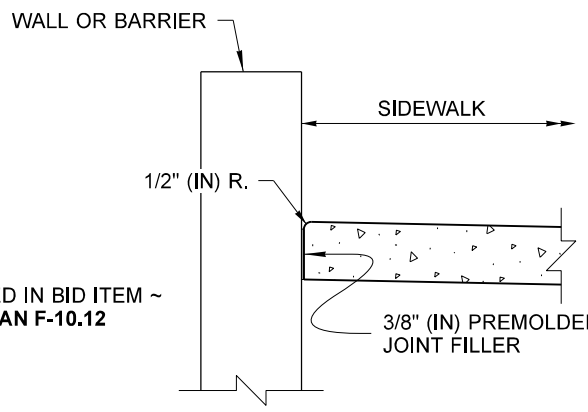
**MONOLITHIC CEMENT CONCRETE  
CURB AND SIDEWALK**

**NOTE**

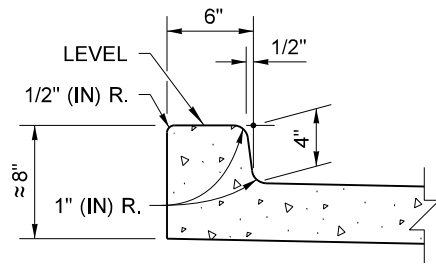
1. Gratings, Access Covers, Junction Boxes, Cable Vaults, Pull Boxes and other appurtenances within the sidewalk must have slip resistant surfaces, be flush with surface, and match grade of the sidewalk.



**CURB FACE DETAIL**

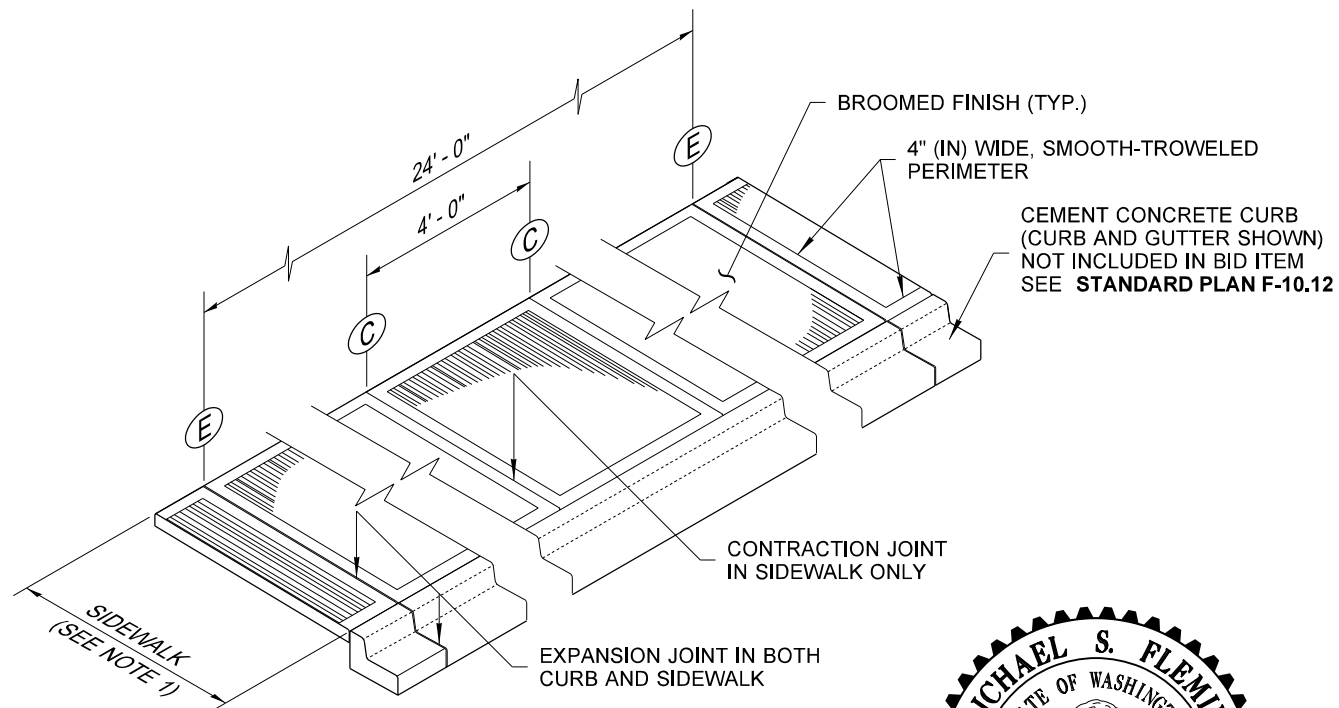


**SIDEWALK ADJACENT TO WALL DETAIL**

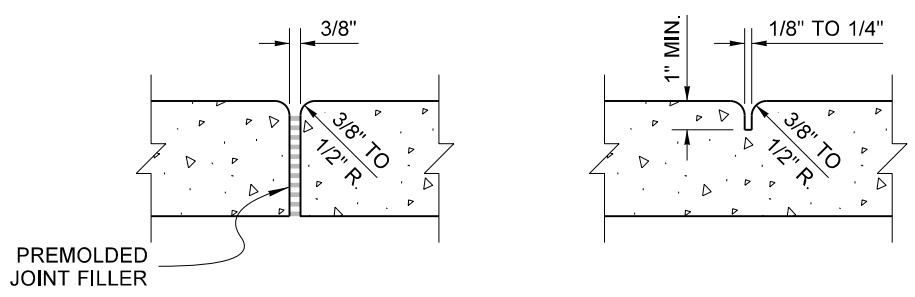


**RAISED EDGE DETAIL**

EXTEND SIDEWALK TRANSVERSE JOINTS TO INCLUDE RAISED EDGE



**ISOMETRIC VIEW  
JOINT AND FINISH  
DETAIL**



**(E) EXPANSION JOINT**

**(C) CONTRACTION JOINT**



Michael S. Fleming  
Digitally signed by Michael S. Fleming  
Date: 2020.09.24 07:40:16 -07'00'

**CEMENT CONCRETE  
SIDEWALK  
STANDARD PLAN F-30.10-04**

SHEET 1 OF 1 SHEET

APPROVED FOR PUBLICATION  
Date: 2020.09.25  
15:43:50 -07'00'  
STATE DESIGN ENGINEER  
Washington State Department of Transportation

DRAWN BY: LISA CYFORD