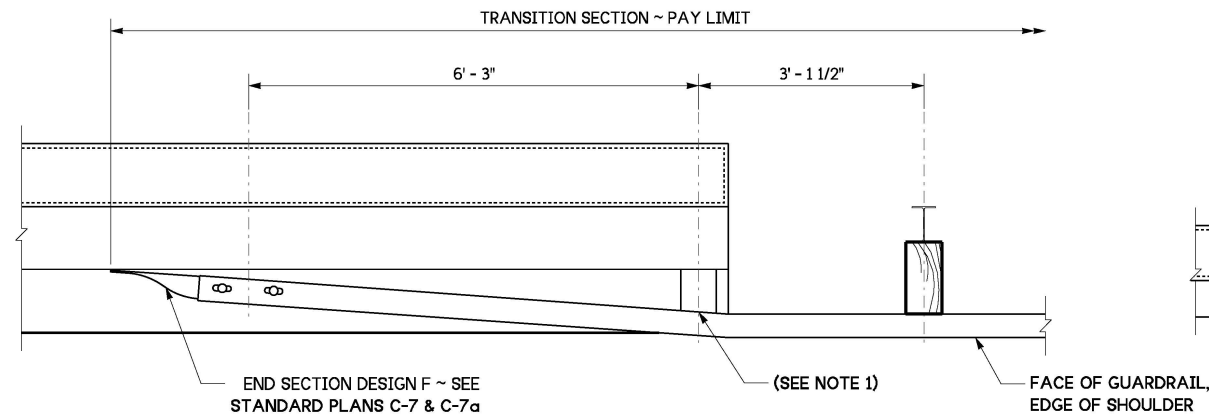
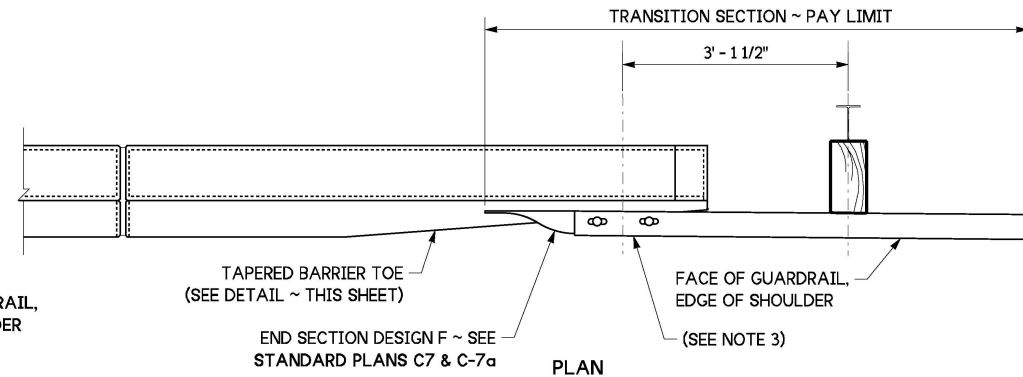


NOTES

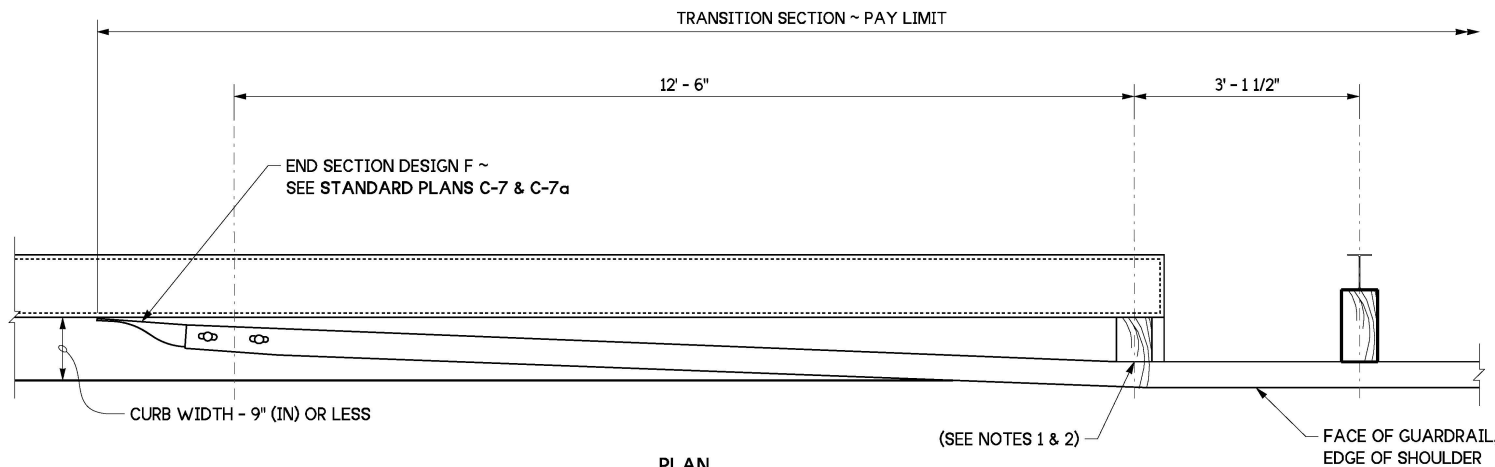
1. Attach guardrail to bridge rail or concrete barrier with 7/8" (in) diameter bolts in accordance with **Standard Specification Section 9-06.5(4)** with thin slab ferrule inserts, or with resin-bonded anchors per **Standard Specification Section 9-06.4**.
2. If the last guardrail post is 3" (in) or less from the end of the bridge barrier, this attachment and blockout is not necessary.
3. See **Bridge Plans** for additional connection details.
4. Wood blocks shown. Blocks of alternate material may be used. See **Standard Specification Section 9-16.3 (2)**.
5. Steel posts shown. Timber posts may be used.



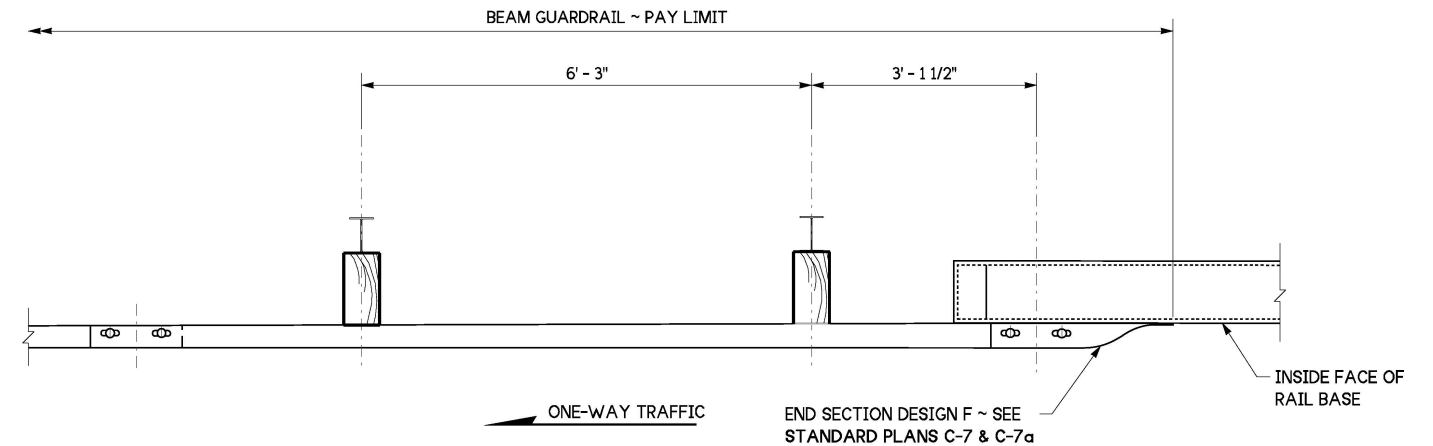
PLAN
A CONNECTION
 FOR UNRESTRAINED PRECAST CONCRETE BARRIER (TYPE F, TYPE 2)



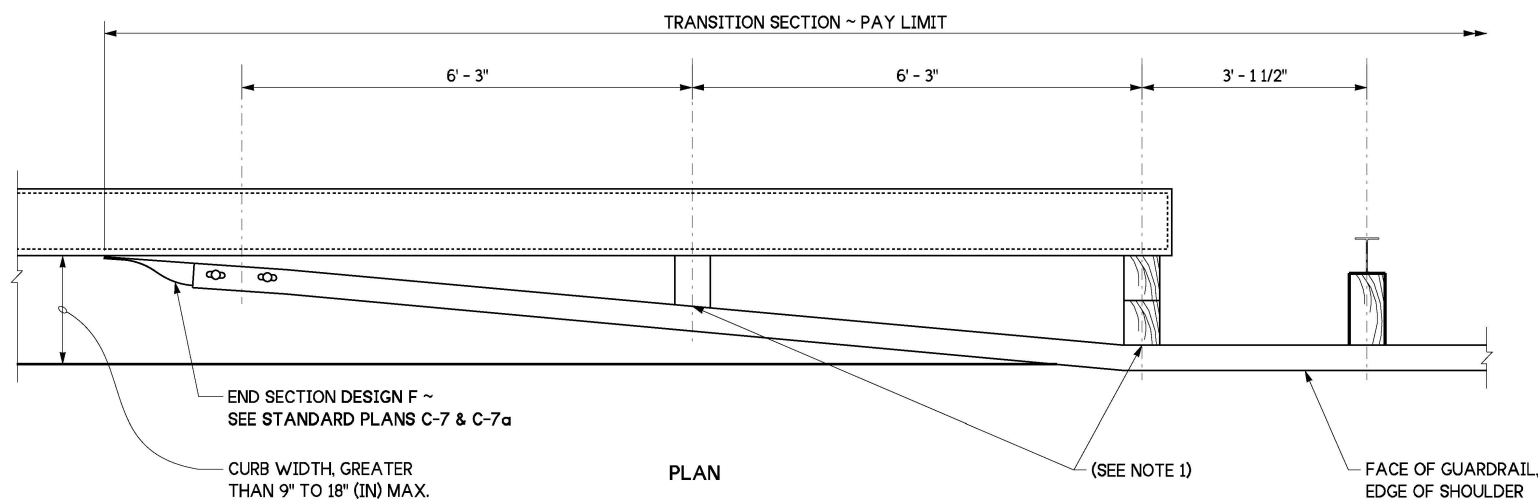
PLAN
D CONNECTION
 FOR VERTICAL WALLS, SINGLE SLOPE BRIDGE RAIL, SINGLE SLOPE CONCRETE BARRIER, TAPERED SAFETY SHAPE BRIDGE RAIL (TYPE F OR TYPE 2), AND TAPERED SAFETY SHAPE CONCRETE BARRIER WITH ANCHORS (TYPE F, TYPE 2) (TAPERED SAFETY SHAPE BARRIER SHOWN)



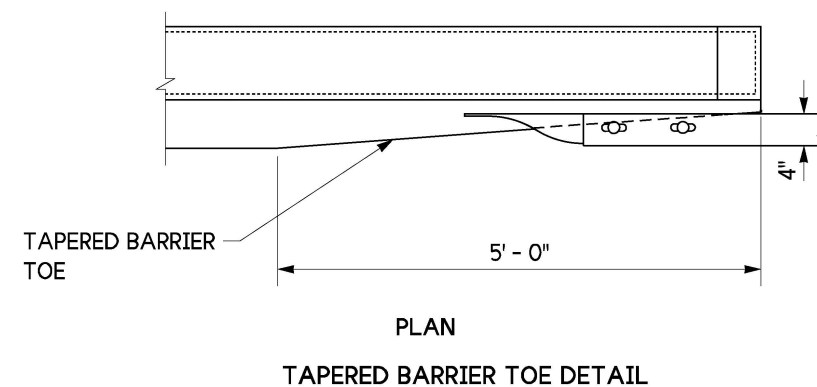
PLAN
B CONNECTION
 FOR BRIDGE RAILS WITH CURBS 9" (IN) OR LESS, UNTAPERED SAFETY SHAPE BRIDGE RAIL (TYPE F, TYPE 2), AND UNTAPERED SAFETY SHAPE CONCRETE BARRIER WITH ANCHORS (TYPE F, TYPE 2).



PLAN
F CONNECTION
 FOR ALL BRIDGE RAIL AND CONCRETE BARRIER TYPES LOCATED ON TRAILING ENDS OF ONE-WAY TRAFFIC ROADWAYS



PLAN
C CONNECTION
 FOR BRIDGE RAILS WITH CURBS BETWEEN 9" AND 18" (IN)



PLAN
 TAPERED BARRIER TOE DETAIL



Oct 13, 2023

GUARDRAIL CONNECTION TO BRIDGE RAIL OR CONCRETE BARRIER
STANDARD PLAN C-24.10-04

SHEET 1 OF 1 SHEET

APPROVED FOR PUBLICATION

Mark A. Davis

Oct 16, 2023

STATE DESIGN ENGINEER

